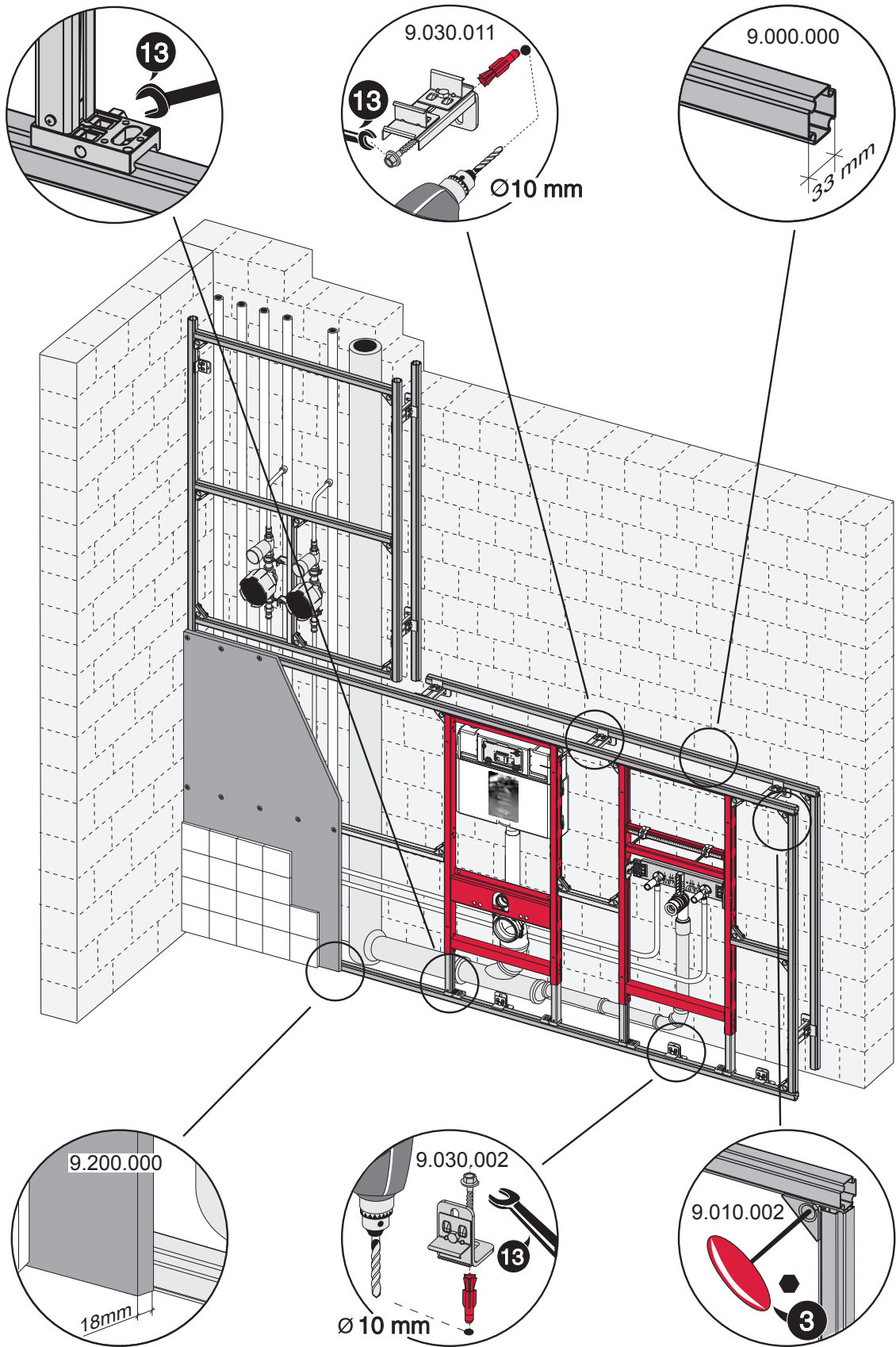
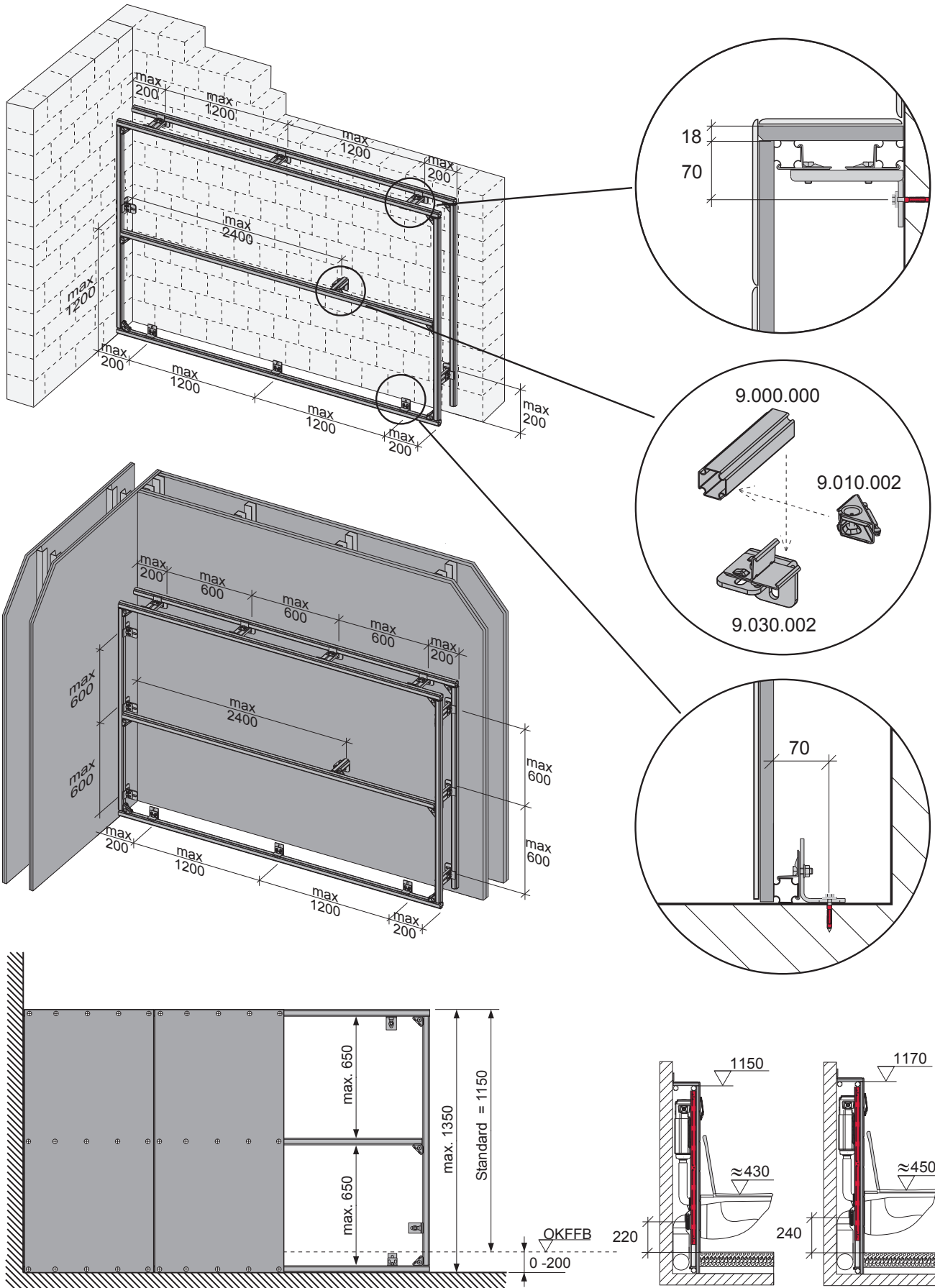
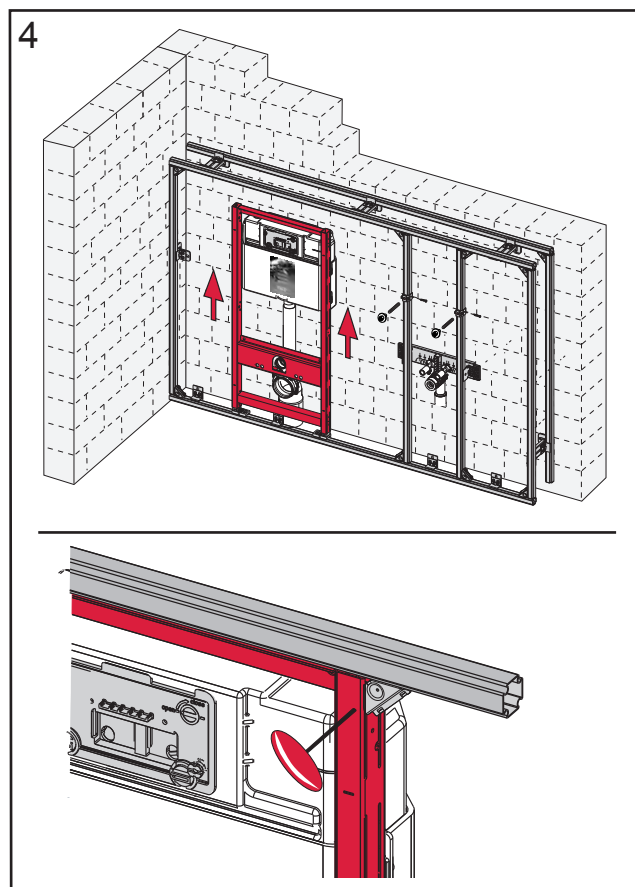
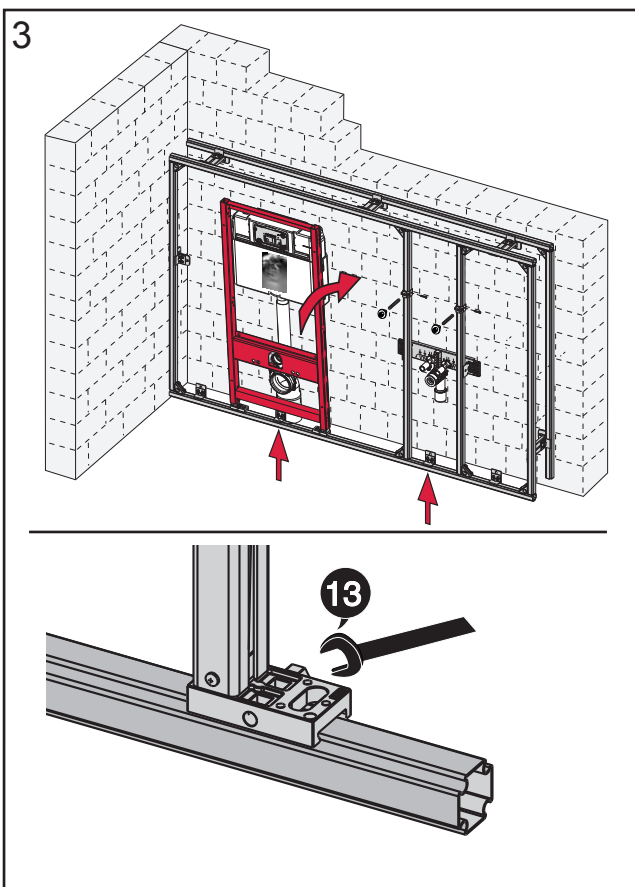
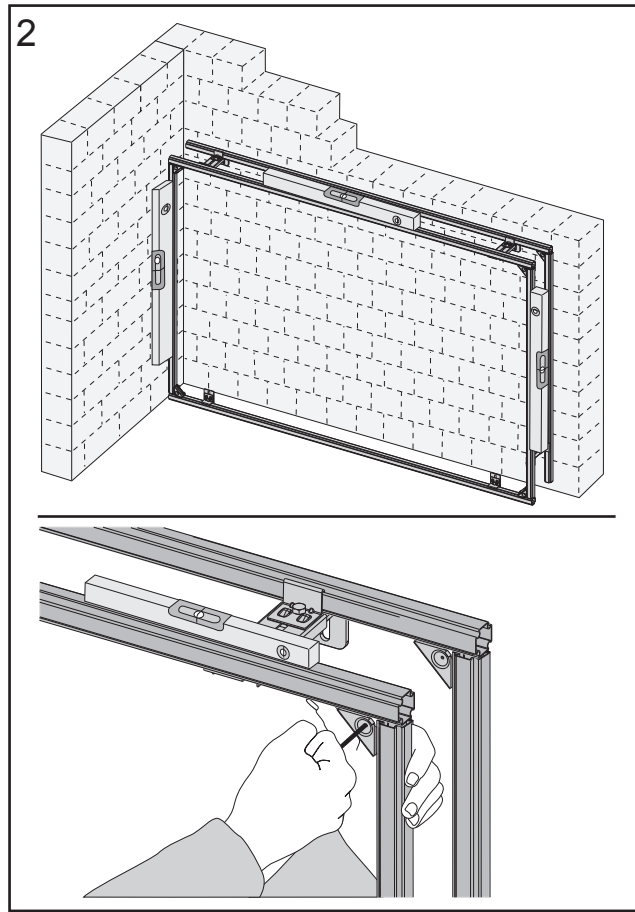
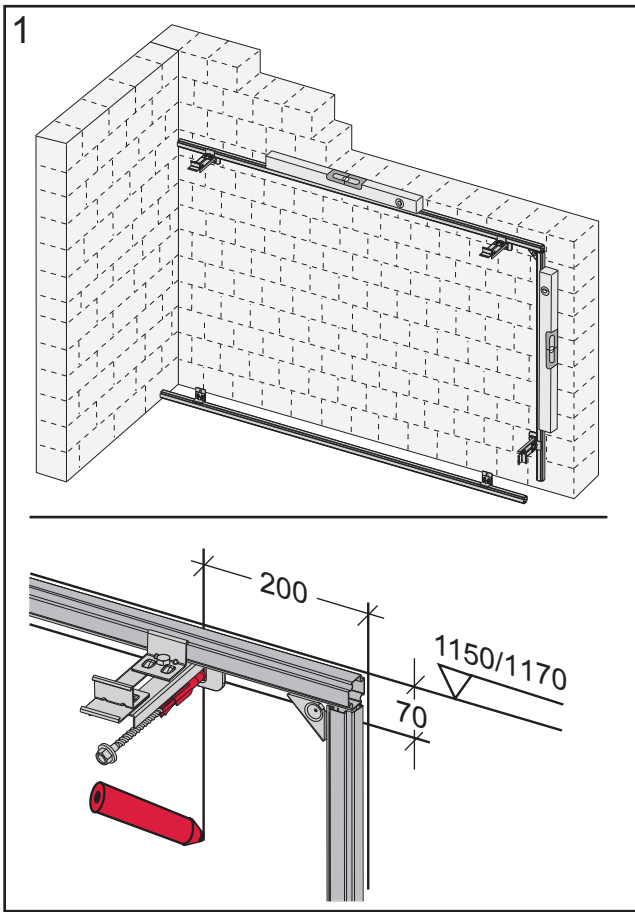


# TECEprofil – System-Montageanleitung

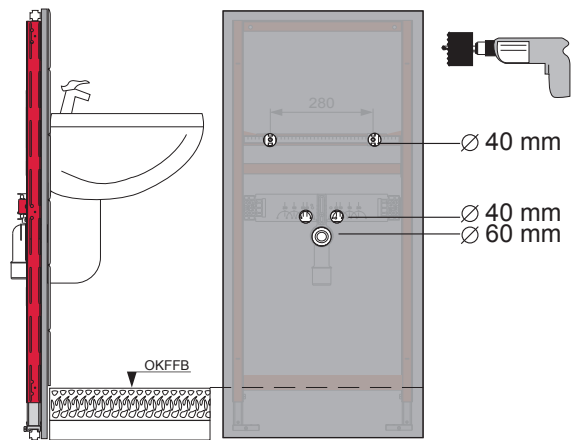
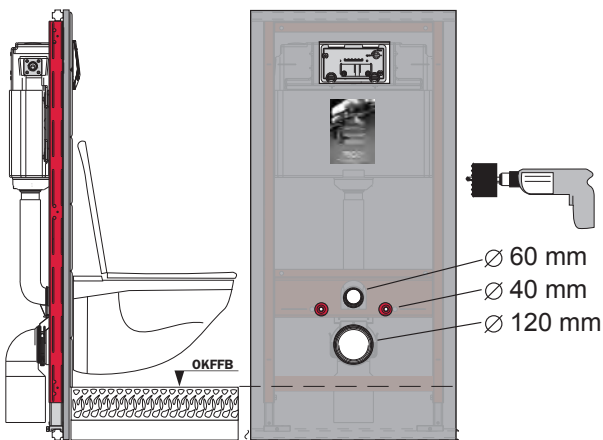
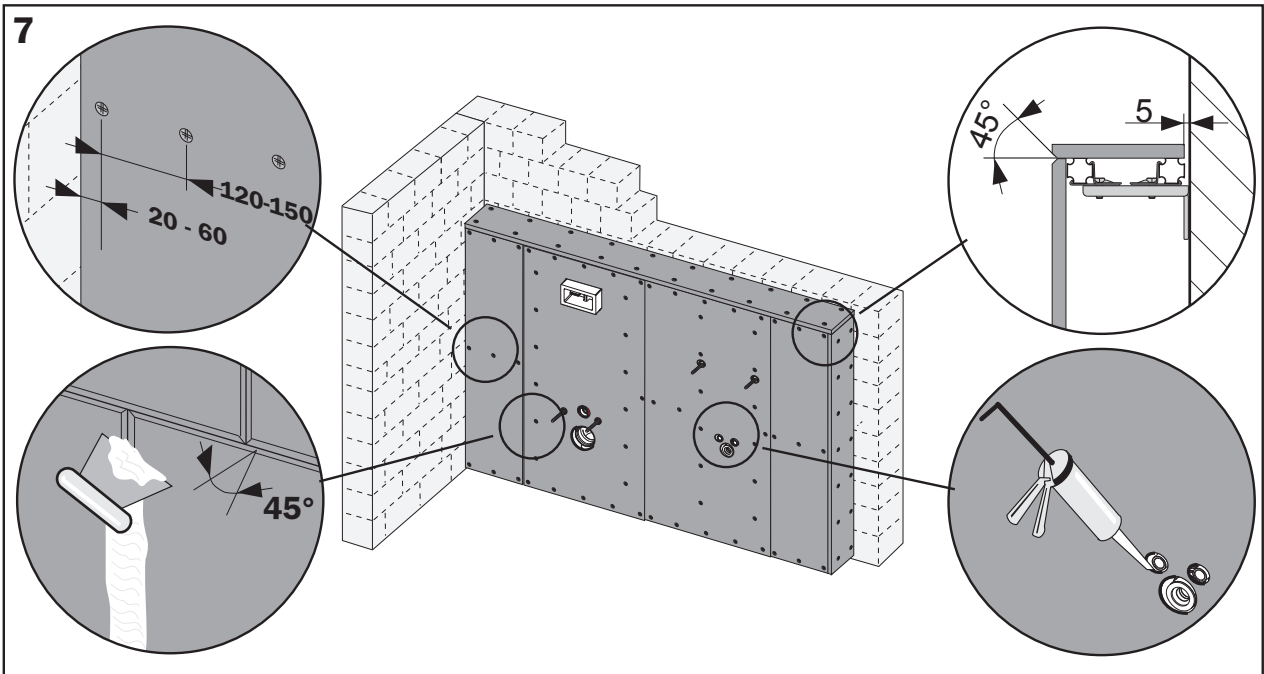
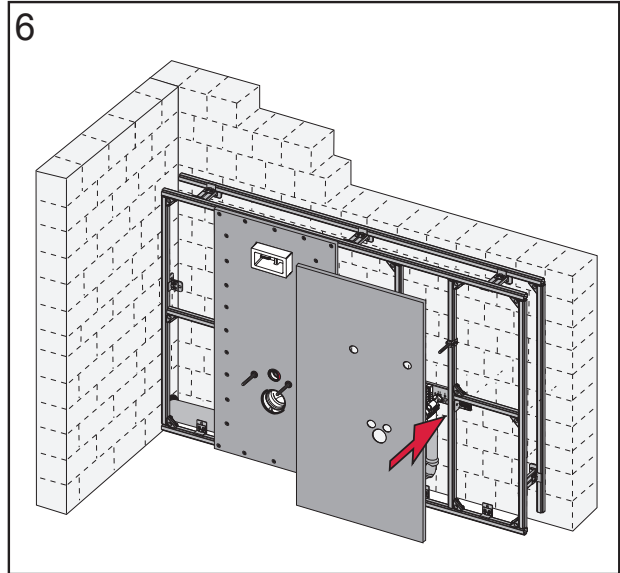
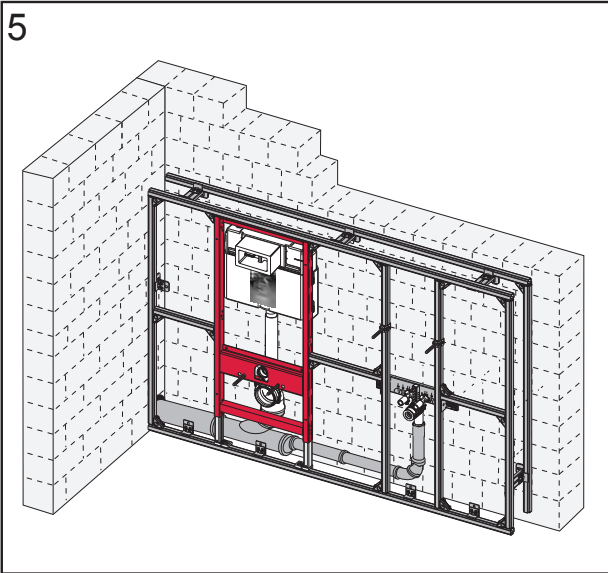


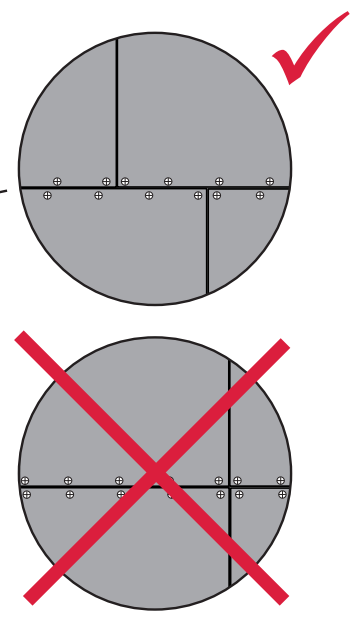
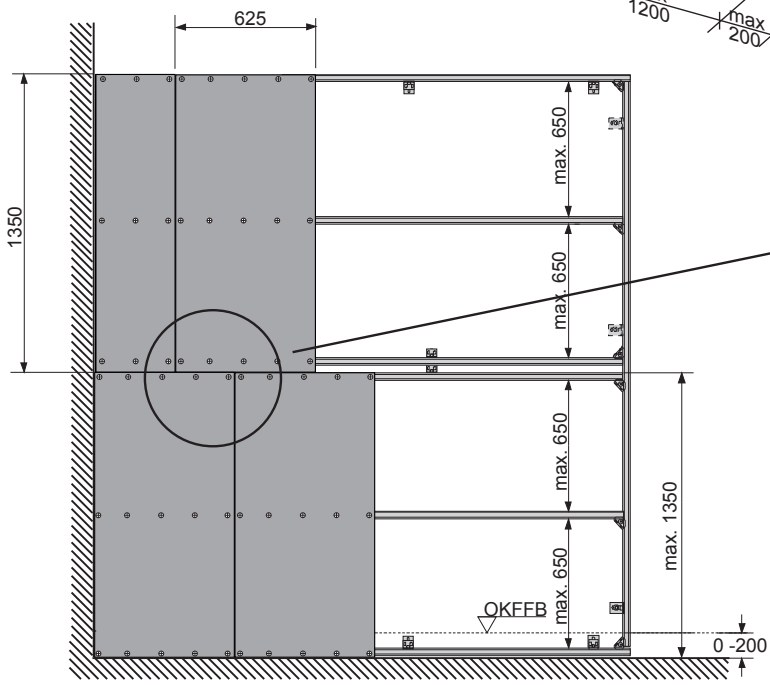
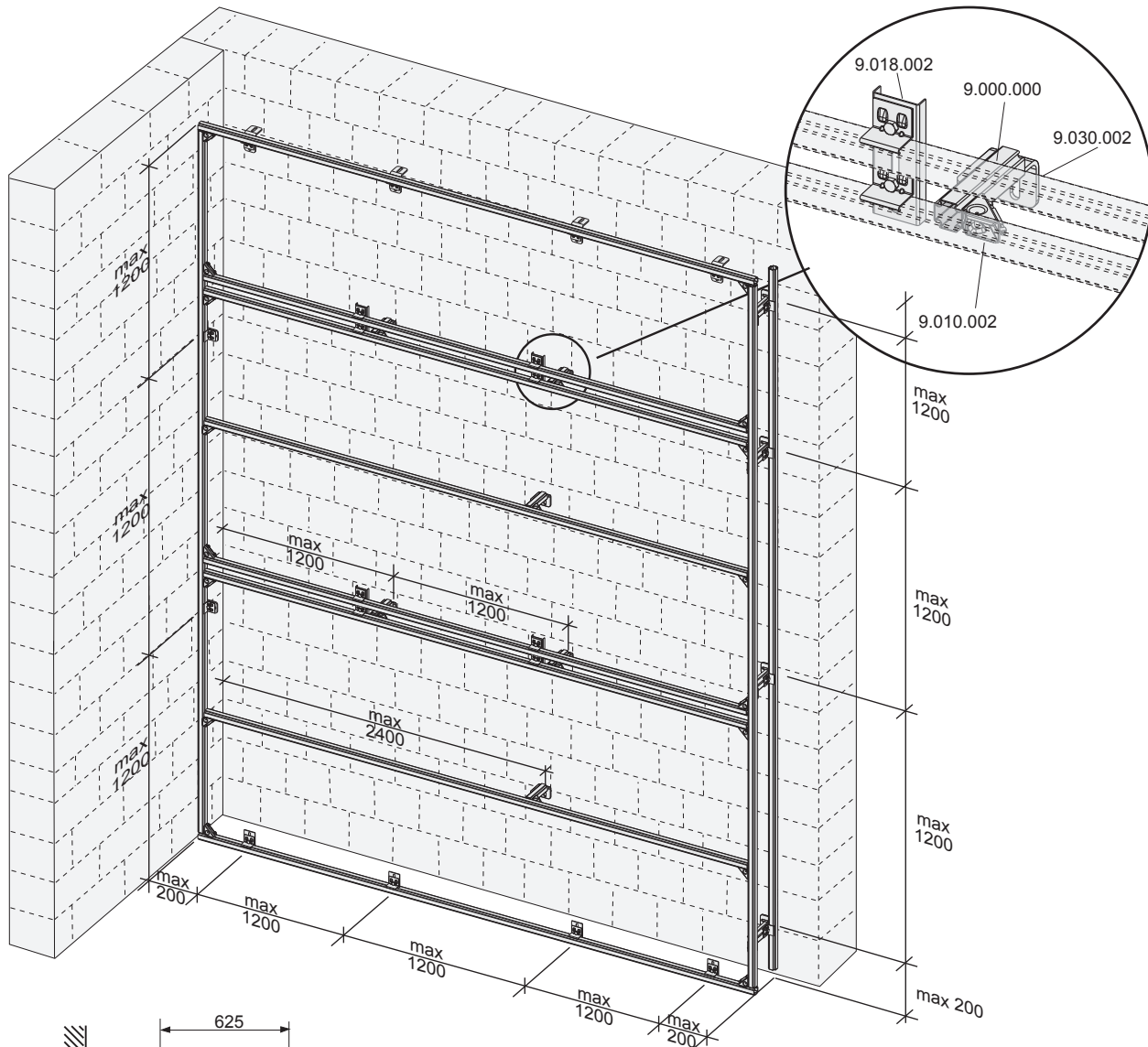
# TECEprofil – System-Montageanleitung





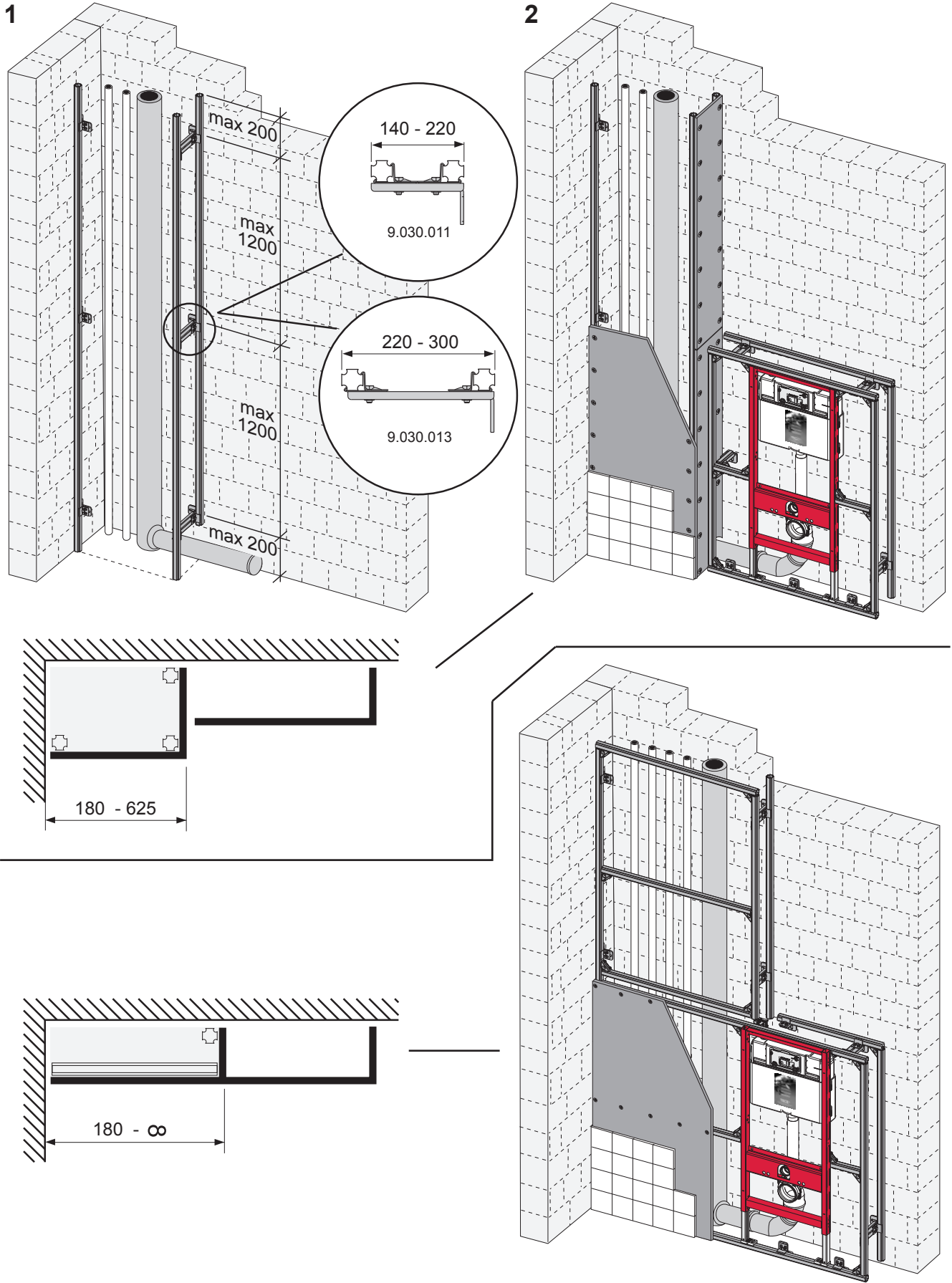
**TECE:**

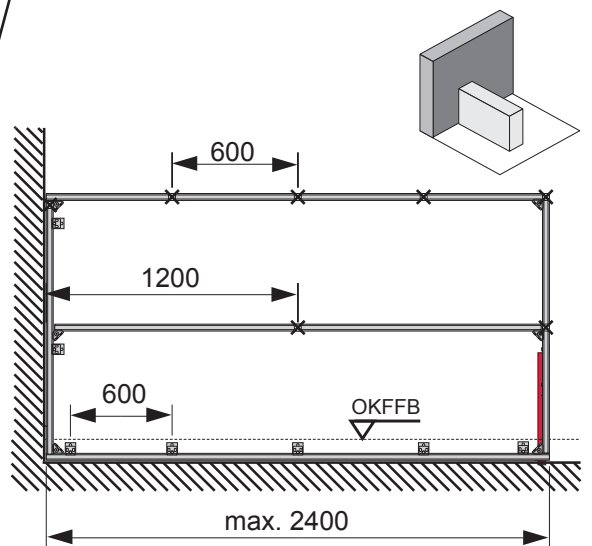
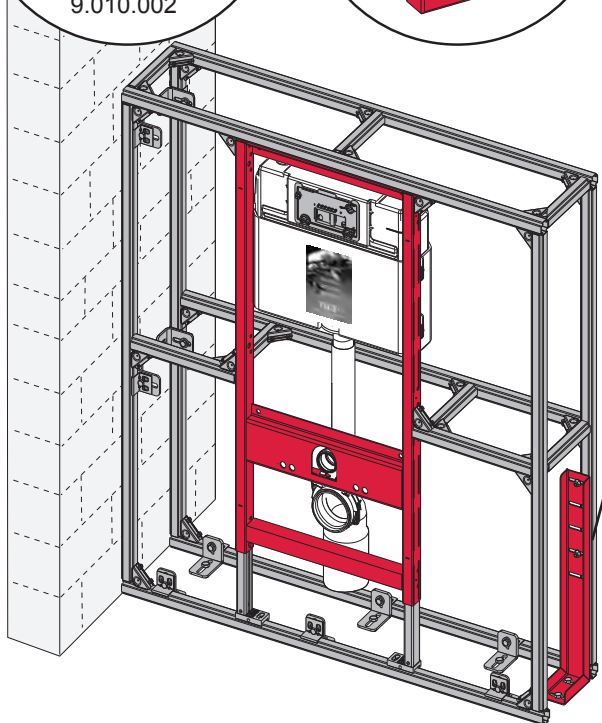
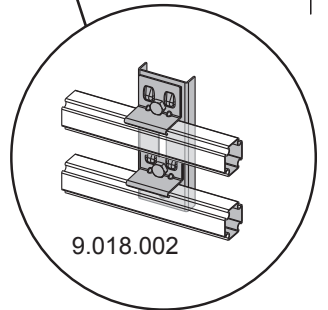
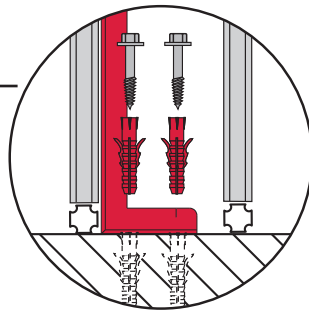
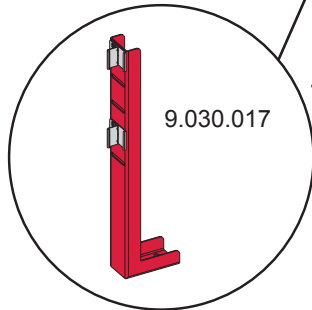
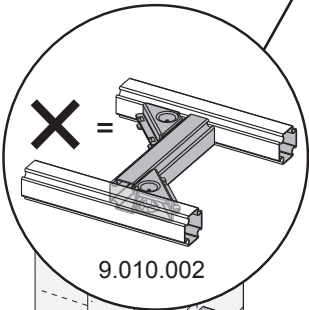
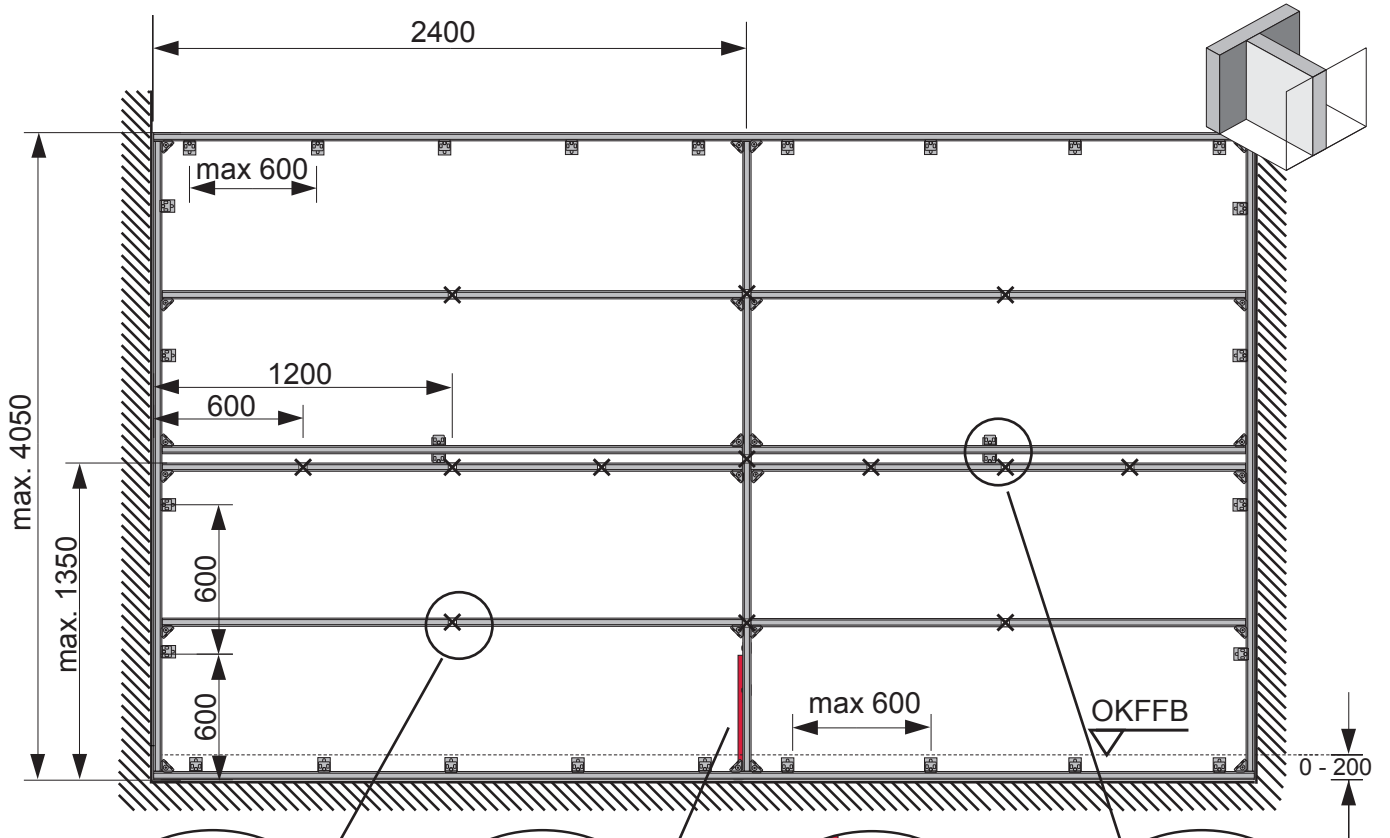




**TECE:**

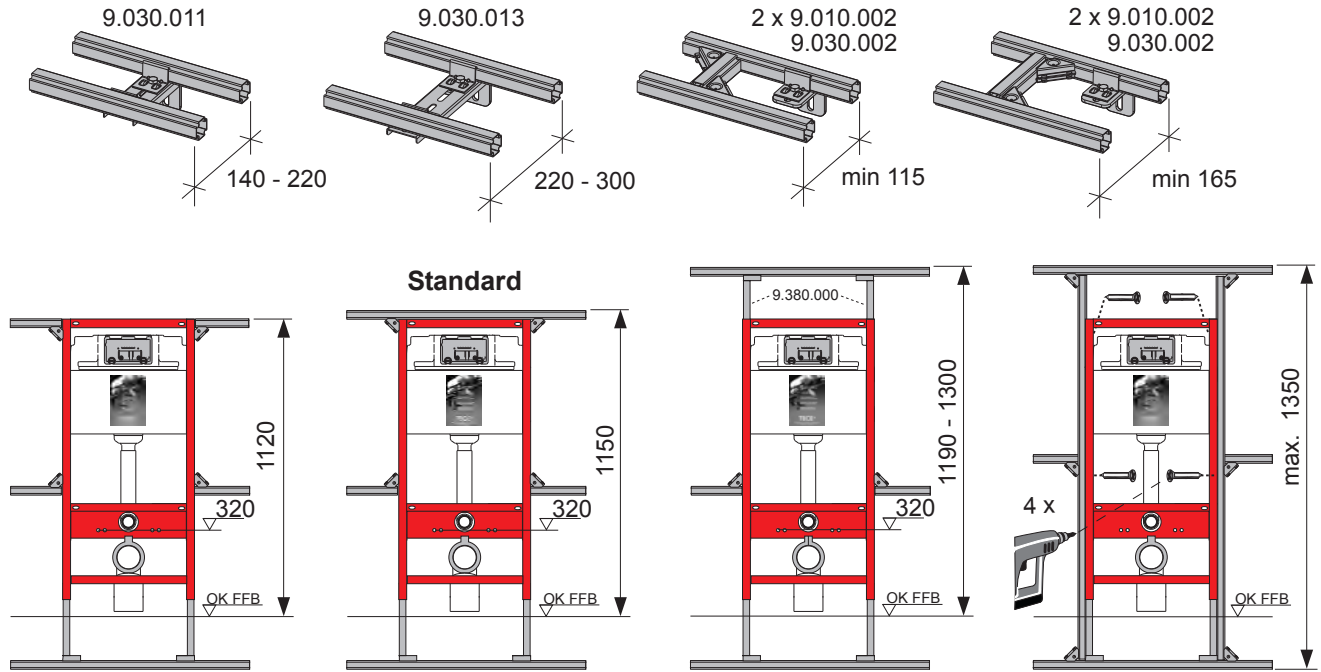


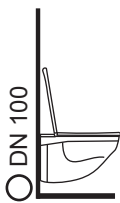


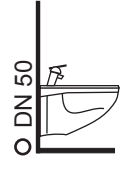



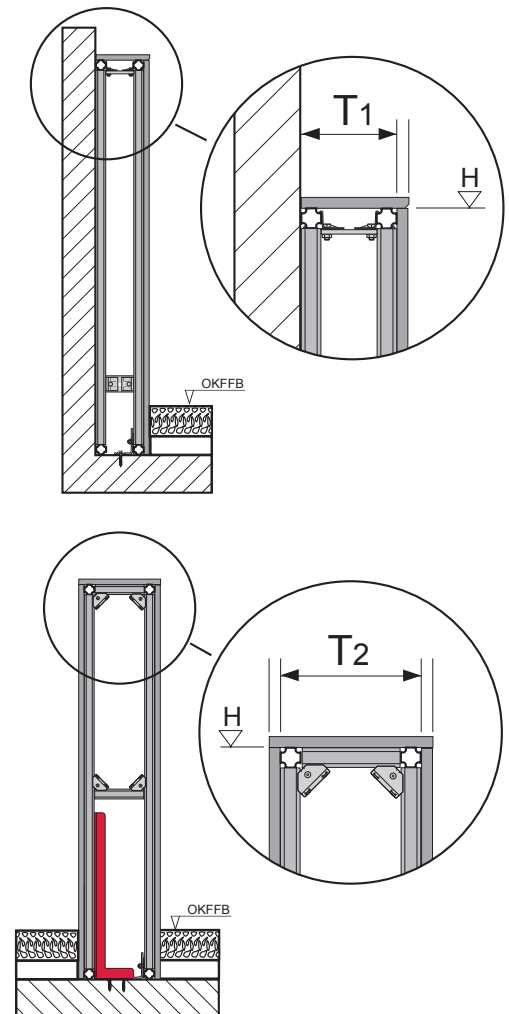


**TECE:**

# TECEprofil – System-Montageanleitung



	Art. Nr.	H Standard	T1 min	T2 min
 DN 100	9.300.000	1150 (1120 - 1350)	160	210
	9.300.002			
	9.300.011			
 DN 50	9.300.001	820 - 920	160	210
	9.041.006	970 - 1350	160	240
	9.310.000	1150	140	210
 DN 50	9.310.004	(1120 - 1350)	(115)	
	9.020.033	820 - 1350	140	210
	9.020.018		(115)	
9.020.034				
 DN 50	9.320.002	1300	140	170
	9.320.000	(1150 - 1350)	(115)	
	9.320.001			
	9.020.017			
 DN 50	9.330.000	1150 (1120 - 1350)	140 (115)	210



PR 230 079 00 c