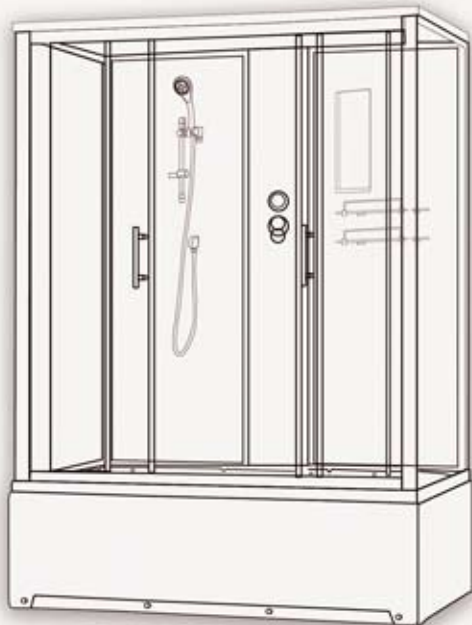


# PRODUCTION CERTIFICATE

Shower Cabin Installation And Operation Instruction



## Showers Cabin series brand DETO

MODEL	EM-4515	EM-4517
SIZE (cm)	150X85	170X85

We thank you for purchasing the shower cabin of DETO trade mark and hope that it will come up to all of your expectations.

The shower cabin can be used in apartments, houses or hotels – in all cases its installation will be simple and safe, while using it will give you pleasure and benefit your health.

Shower cabins of DETO trade mark combine all of the latest designs developed by our company, introduced in order to give this product even higher quality and make it even more convenient in exploitation.

The product you have purchased is manufactured in compliance with modern European technical standards, meets mandatory construction and sanitary standards.

All products of DETO trade mark are manufactured in compliance with requirements of the highest standards, which define all technical parameters of shower cabins for sale in the European Union countries.

Please, read this installation and operation manual carefully in order to ensure the safest and the most effective installation, utilization and maintenance of the product.

Manufacturer reserves the right not to notify the end user about differences in structures between the obsolete model and the new, improved version of the shower cabin; however, we are sure that this will not hamper your utilization of the product.

*Thank you for the purchase!*

### **GENERAL INFORMATION:**

The shower cabin is intended for hydrotherapeutic procedures.

The product has functions of manual shower, hydromassage and tropical shower, hydromassage sprayers, electronic control panel, FM radio, fan, lighting, chromotherapy.

### **TECHNICAL FEATURES:**

- Installation of hydromassage cabin must be conducted by qualified specialist.
- Used voltage  $220 \pm 10\%$ .
- Used water pressure 0.2-0.4 MPa, water discharge 8-12 l/min. Temperature of hot water fed onto the cabin should not exceed 70°C. Installation of coarse water filters is required.
- Level of canalization draining from floor up to tray must be at least 70 mm.
- Maximum load to the tray 150 kg.
- Mounting dimensions of hot and cold water pipeline 1/2" (15 mm), drainhole diameter 1-1/2" (40 mm).
- Upon finishing to use the cabin it is necessary to put a switch to OFF position.

Upon finishing to use the cabin it is necessary to shut down feeding of cold and hot water in the cabin.

### LIST OF PROHIBITED ACTIONS!

- Installing the cabin on the street
- Misusing the cabin
- Using the cabin in the state of alcohol and intoxicated
- Standing on the edge of the tray
- Using the cabin by the people who have fear of closed space
- Using the cabin by children and elderly people without supervision by relatives
- Clean the shower cabin using abrasive and aggressive detergents.

### TRANSPORTATION AND STORAGE:

The cabins are transported in a covered vehicle.

If the cabin subject to installation is delivered from the cold premise to the warm one, it is necessary for each part of it to match the environment temperature first. After purchase the product has to be stored in the package in order to be accepted for after-sales service, before installation and acceptance for warranty service.

### RECOMMENDATIONS TO THE CUSTOMER:

- This product is intended for domestic use in the premises.
- Packaging elements (plastic bags, metal clips) may be potentially dangerous for children, thus put them away to the unreachable place immediately after installing the cabin.
- It is necessary to check completeness and integrity of the product after opening the package.
  - Always take the plug out of the socket or turn the electricity off on your electric service panel before starting any cabin maintenance operations.
  - Water feeding regulator must be in the middle position in order to avoid temperature shock if you are using a sauna mode, don't use the shower or hydromassage.
  - Cleaning of shower cabin must be conducted with a soft cloth or a sponge using liquid detergents.
- Water feeding system must be equipped with filters.
- It is not recommended to wash pets without using a protection rug.

## Tools Required(Not Supplied)

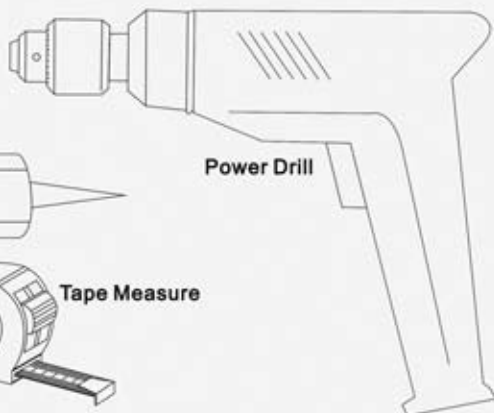
### TOOLS REQUIRED(NOT SUPPLIED)

When you're ready to start, make sure that you have the parts listed and the following tools to hand, plenty of space and a clean dry area for assembly.

Two people are needed. Please note : although these instructions are comprehensive, we always recommend that a technically competent installer should undertake installation.



Drill Bit to suit wall construction  
6 mm



Power Drill

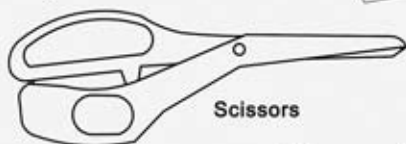
Sanitary Silicone



Tape Measure



Rubber Mallet



Scissors



Flat Blade Screwdriver



Pencil

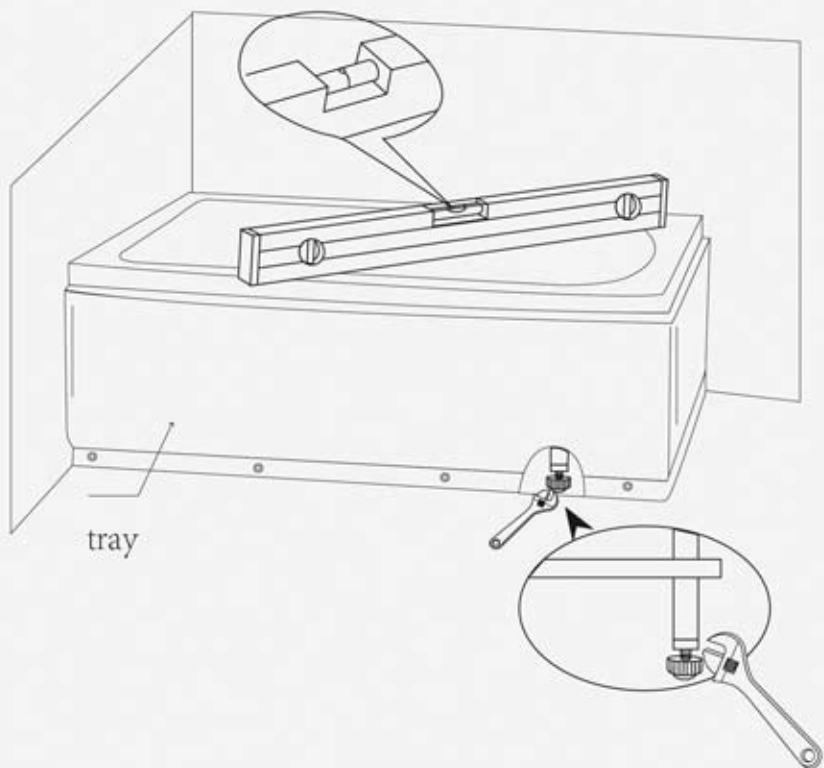


Magnetic Crosshead Screwdriver



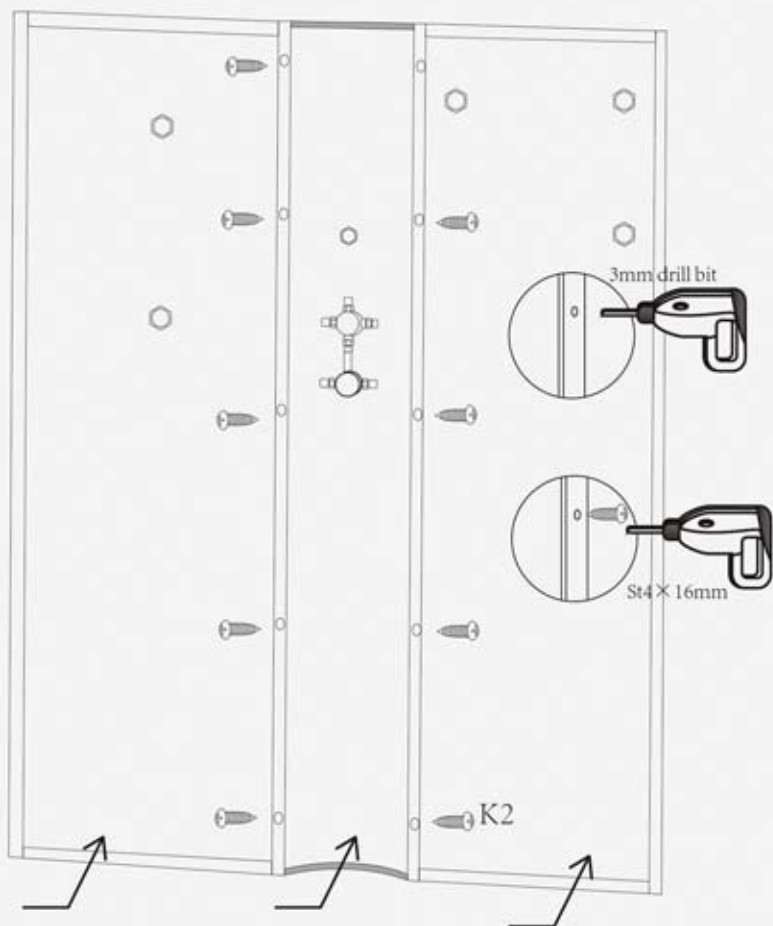
Level

# STEP 1



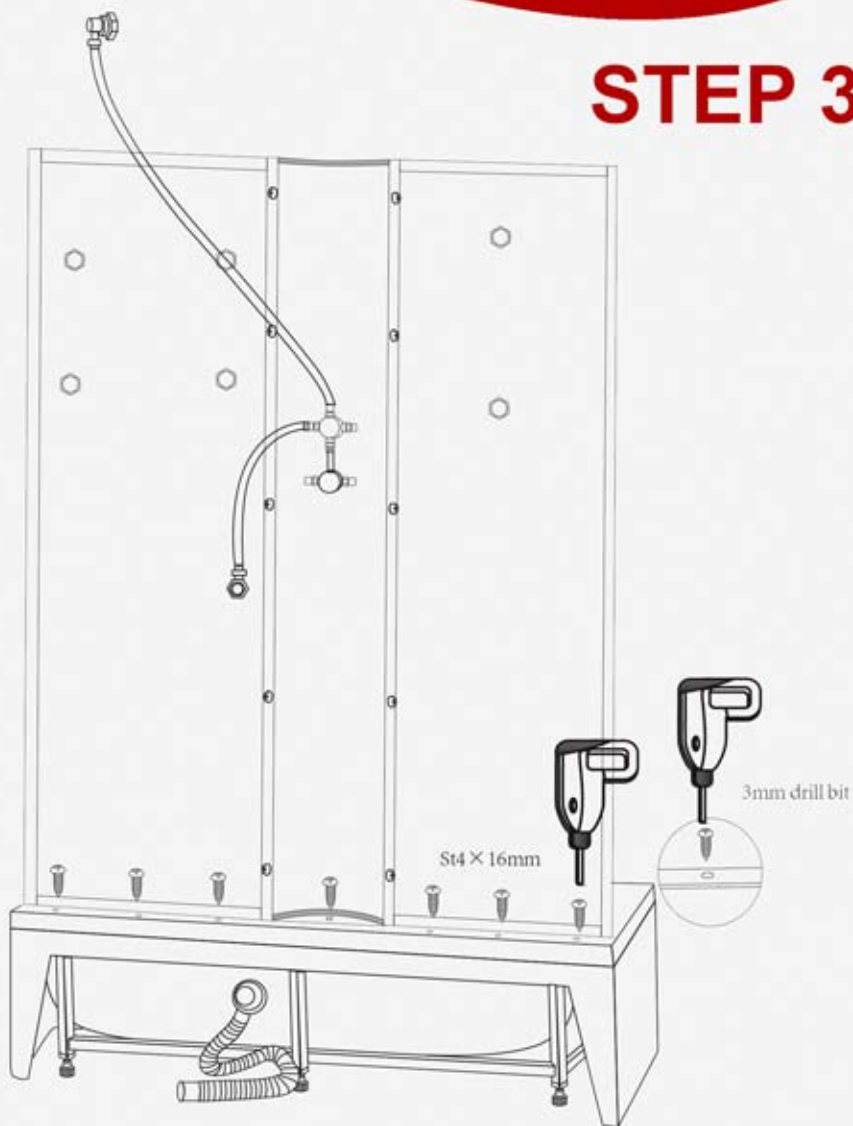
Installation Of Iron Shelf.(Adjust The Height,check The Balance Of Tray)

## STEP 2



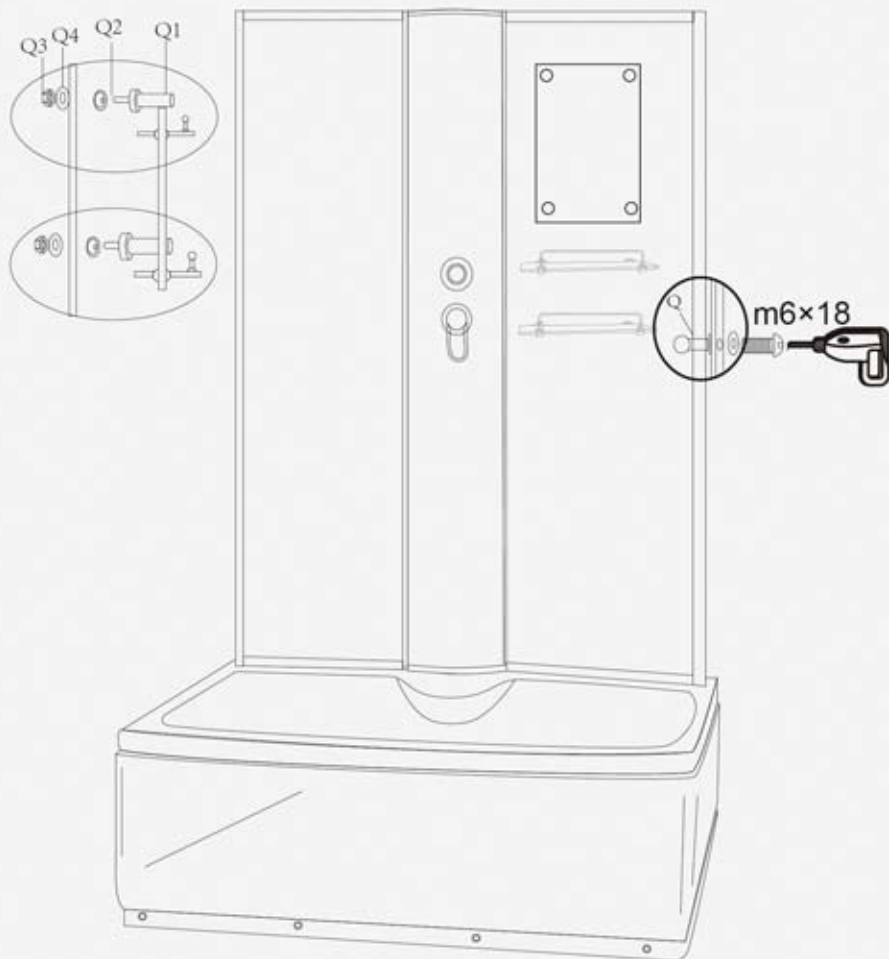
Install The Accessories On The Panel,  
And Fixed It With Back Glass By Screws.

# STEP 3



fixed the back glass on the tray by screws.

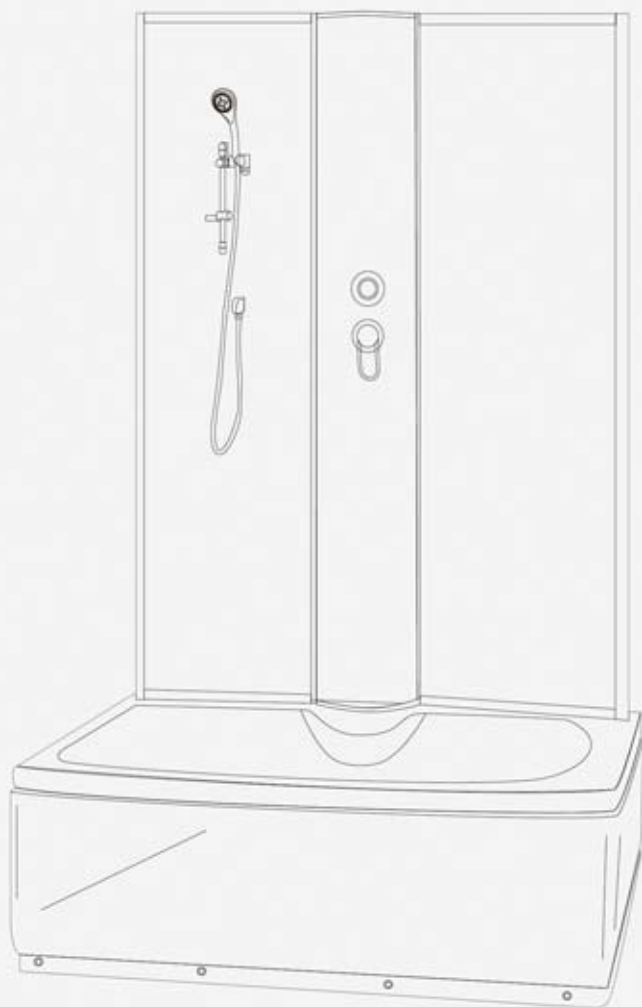
## STEP 4



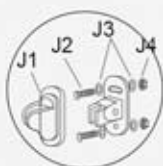
install the accessories on the back glass.



## Installation Of Foot Massage Device Installation



Hand Shower Installation



Bracket Installation

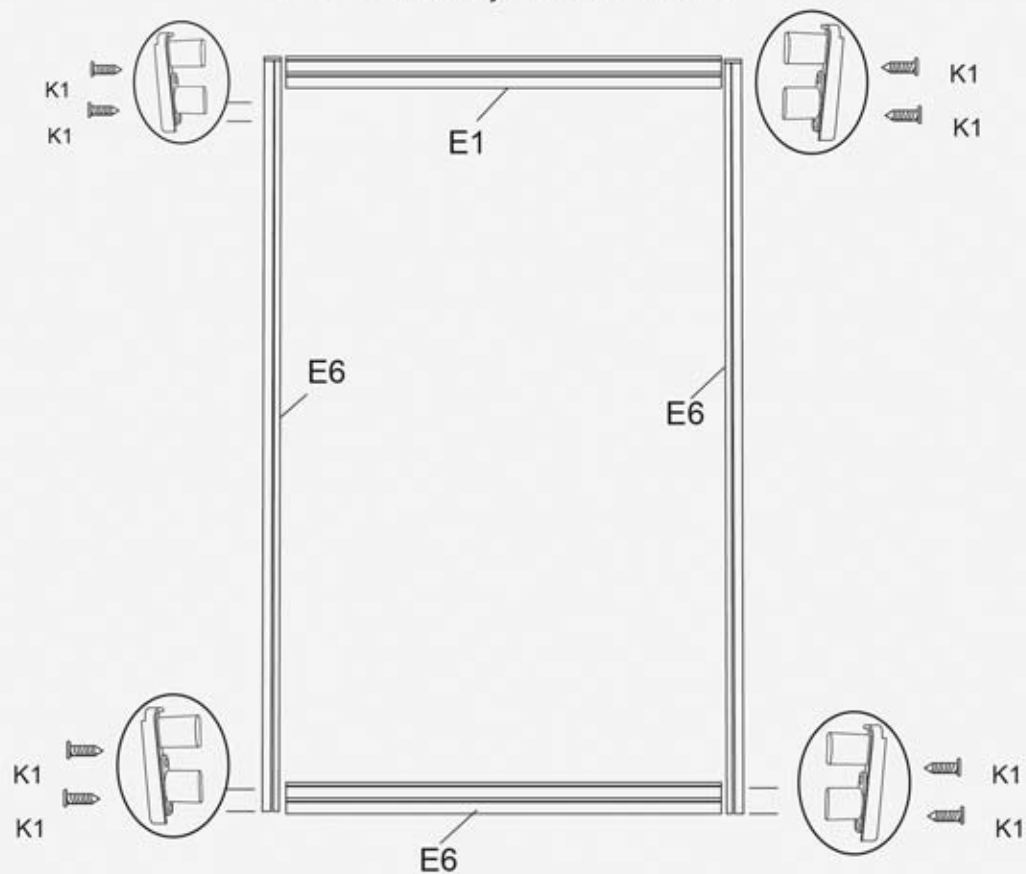


Connector Of Hand Shower  
Installation

# STEP 5

## STEP 6

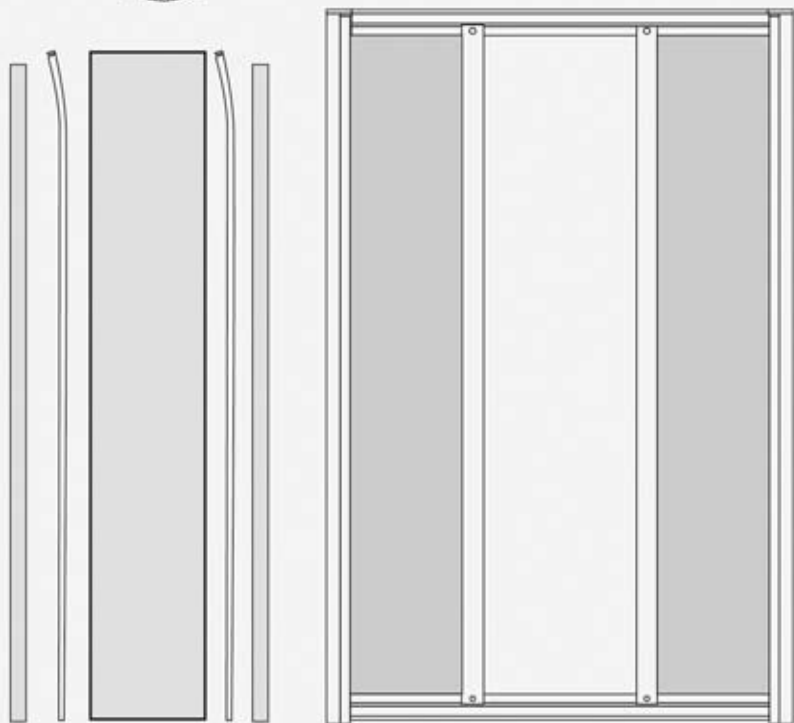
## Aluminium Aldoy Framl Installation



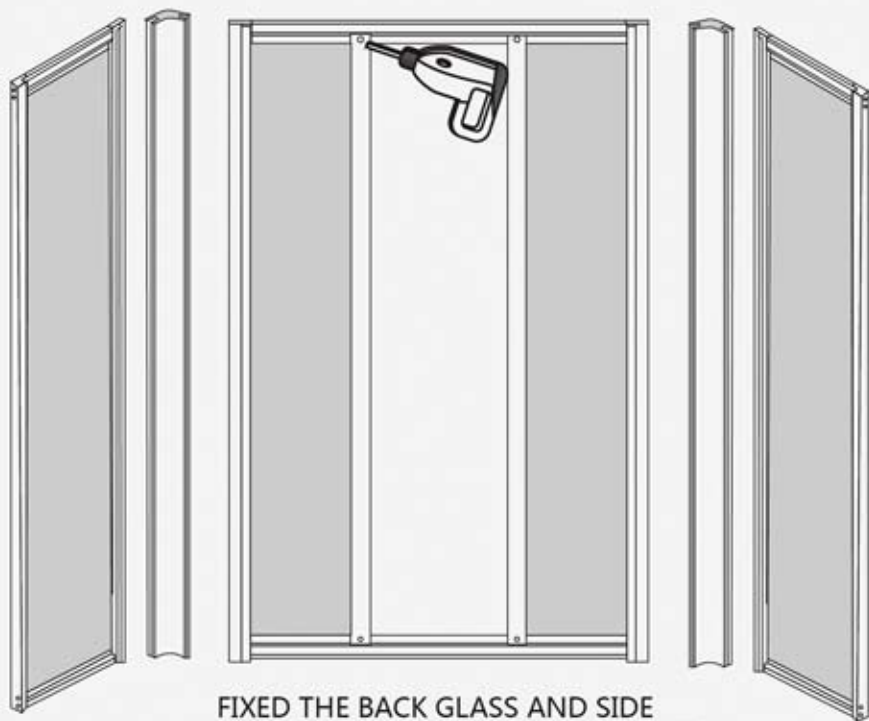
# STEP 7



Installation Of Front Fixed Glass.

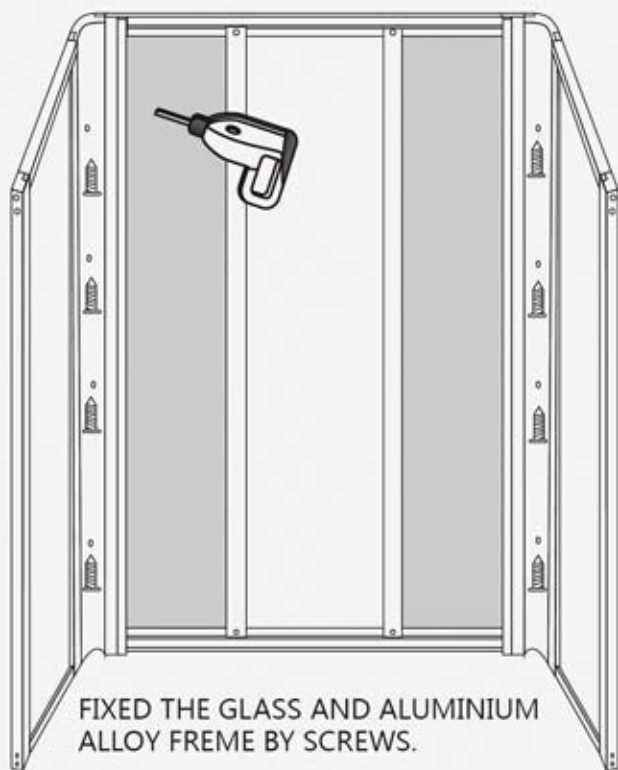


# STEP 8



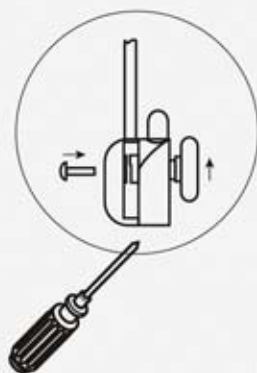
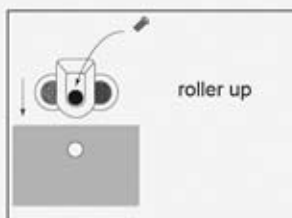
FIXED THE BACK GLASS AND SIDE  
GLASS BY ALUMINIUM ALLOY FRAME

# STEP 9



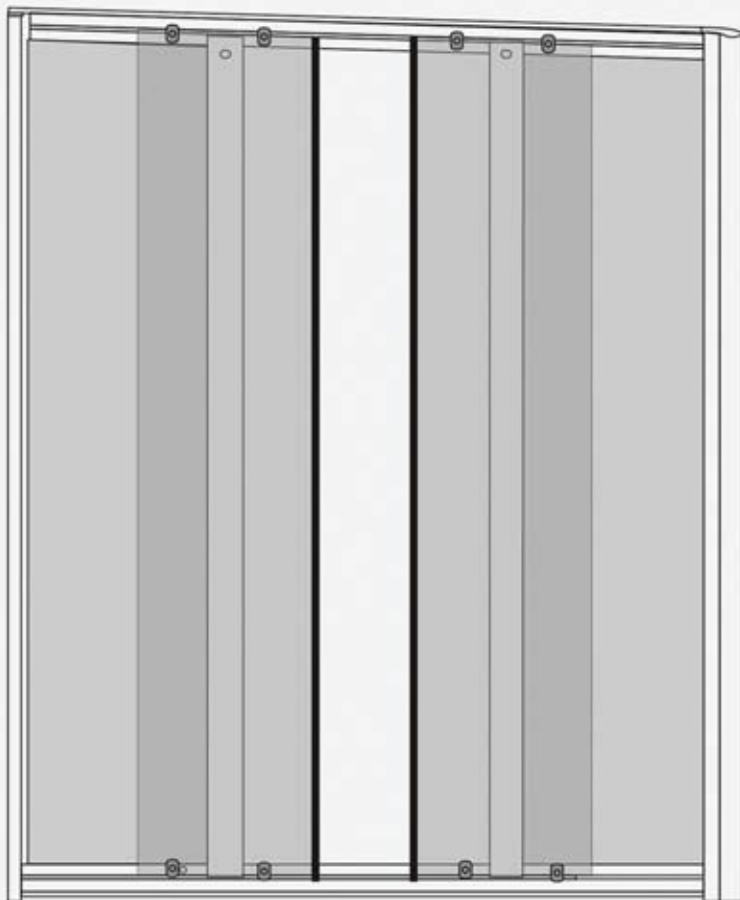
FIXED THE GLASS AND ALUMINIUM  
ALLOY FREME BY SCREWS.

# STEP 10



ROLLERS INSTALLATION

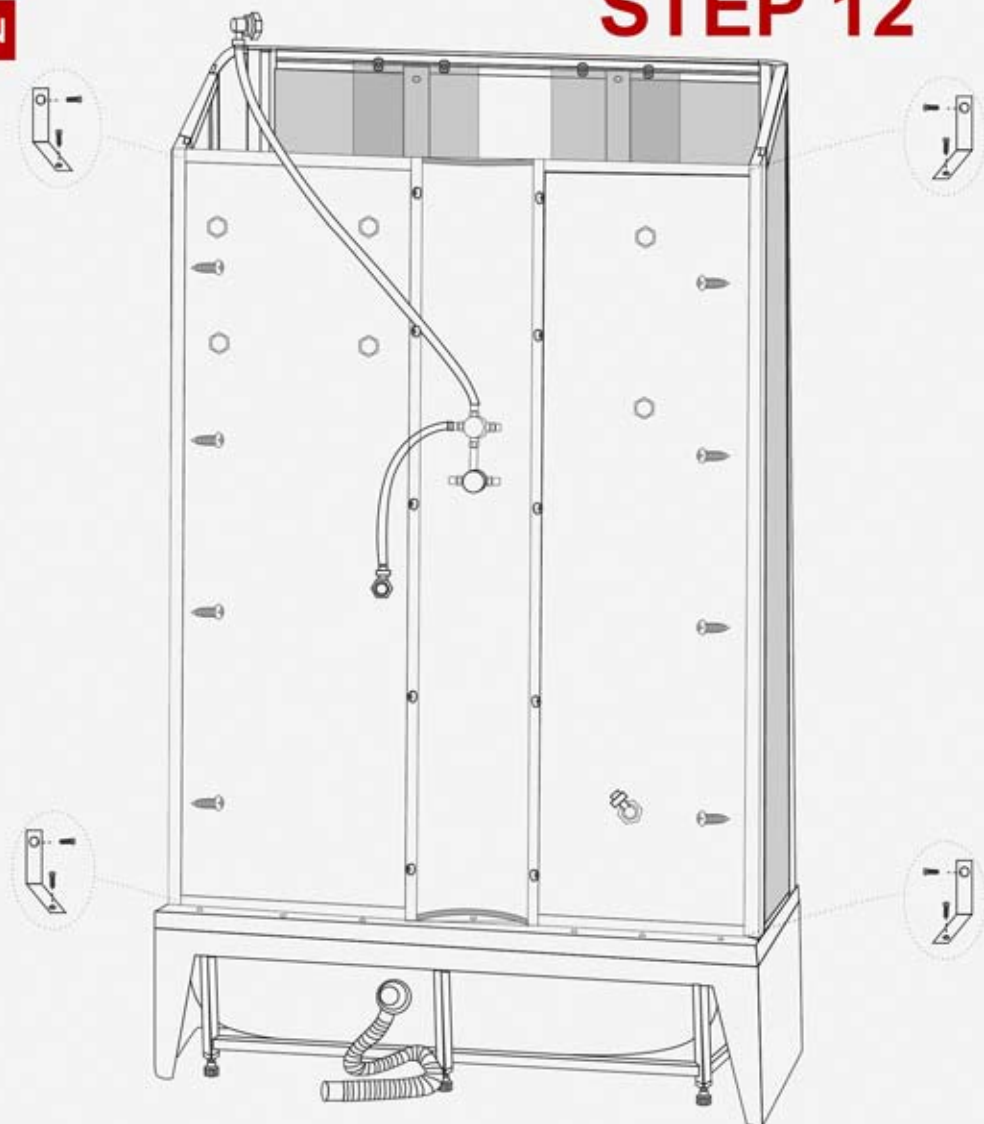
# STEP 11



INSTALL THE ROLLERS ON THE SLIDING DOOR,  
THEN PUT IT IN THE ALUMINIUM ALLOY  
TRACK ADJUST IT.

## STEP 12

EN



FIXED ALL THE CORNERS BY SCREWS.



## TOP INSTALLATION

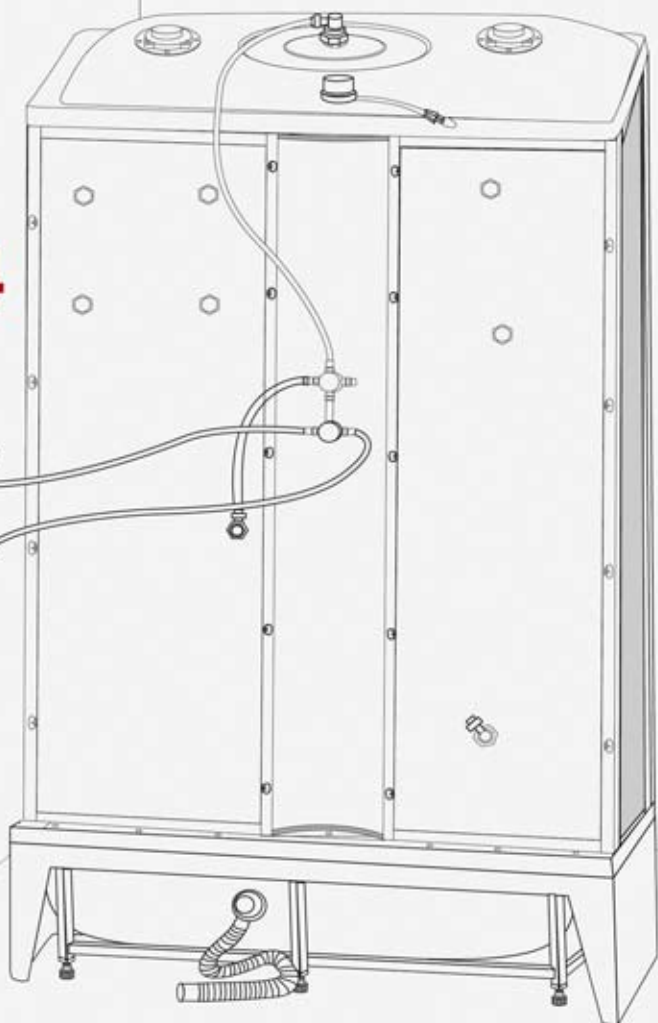
**STEP 13**

INSTALL THE ACCESSORIES ON THE TOP, THEN PUT IT ON THE GLASS.

PLEASE TEST IT AFTER CONNECTING ALL  
THE ELECTRIC WIRE AND WATER PIPE

## STEP 14

COLD WATER  
HOT WATER



### Instructions of in stalltion and operation

- when installing, the ground wire on shower booth should be reliably connected.
- It is prohibited to connect zero line of three-hole socket with ground wire.
- Under spcial person nurse,old peple,chid and disable peple use the shower booth.

### Cleaning and maitenance

- 1.Clean the integrated shower booth with ordinary cleanser and soft cloth,don' t use cleanser with acetone or ammonia solution.
- 2.If its surface has nick,you may polish it with soft cloth.
- 3.Don' t often wipe gold-plated and aluminium-plate fittings.
- 4.Don' t use rough tool. chemical solvent or granule cleanser to clean its surface.
- 5.Don' t use blunt tool and cutting tool to knock or score its surface.

### Notice on transport and storage

- 1.During storing,it is prohibited to place it upside down and pile it up,and it is far away from organic solvent such as formic acid and formaldehyde.
- 2.During,carrying,must gently take and set it,and it is prohibited to heavily press, knock and vehemently shake.
- 3.If don' t use it for a long time,should put it in a dry and ventilated place and is far away from corrosive gas.

# DETO

EN

## Warranty Policy for DETO Shower Cabins of the «Cities of the World» Collection.

**Thank you for choosing DETO products!**

All enquiries regarding installation, exploitation and maintenance of DETO shower cabins should be addressed to service centers.

The present warranty policy supplements rights and obligations of consumers defined by law and restricts them by no means.

The service life of DETO shower cabin is 10 years, within this period the manufacturer shall provide the customer with the possibility to obtain spare parts.

The extended manufacturer's warranty for DETO shower cabins of the «Cities of the World» collection is 5 years after sales date and 7 years after sales date if installed by authorized service center employees (except for equipment installed in public accommodations). The manufacturer's warranty for the components, such as rollers, mixer cartridges and electrical elements is 1 year after sales date.

When contacting a trading organization or service center the customer needs to have proofs of the fact that the agreement was signed and the goods were paid for.

Product appearance and completeness must be checked by the customer at the moment of receiving the dismantled product; further claims regarding appearance and completeness will not be accepted.

**The warranty shall not apply to product shortcomings occurred as a result of circumstances the manufacturer is not responsible for, including:**

- products, marketable appearance of which was damaged during product transportation after the moment it was handed over to a customer, installation or product repair performed by unauthorized parties, as well as violation of cabin exploitation rules.
- malfunctions, which were caused by reasons the manufacturer is not responsible for, such as pressure differentials in water-pipe and electric networks, corrosion of pipes and quality of tap water. In order to avoid such events the manufacturer strongly recommends installing pressure reducer, mechanical cleaning filter and protective cutout device (PCD) when installing the cabin.
- damages caused by natural disasters.
- cases of damages caused by using maintenance products containing aggressive chemicals or abrasive agents not intended to be used with this product.

In order to receive a warranty service a customer must ensure free access to the cabin.

*Send your suggestions regarding quality improvement of after-sales service of products to this address: [detoopt@mail.ru](mailto:detoopt@mail.ru), or call to: +7 (495) 638 07 53.*