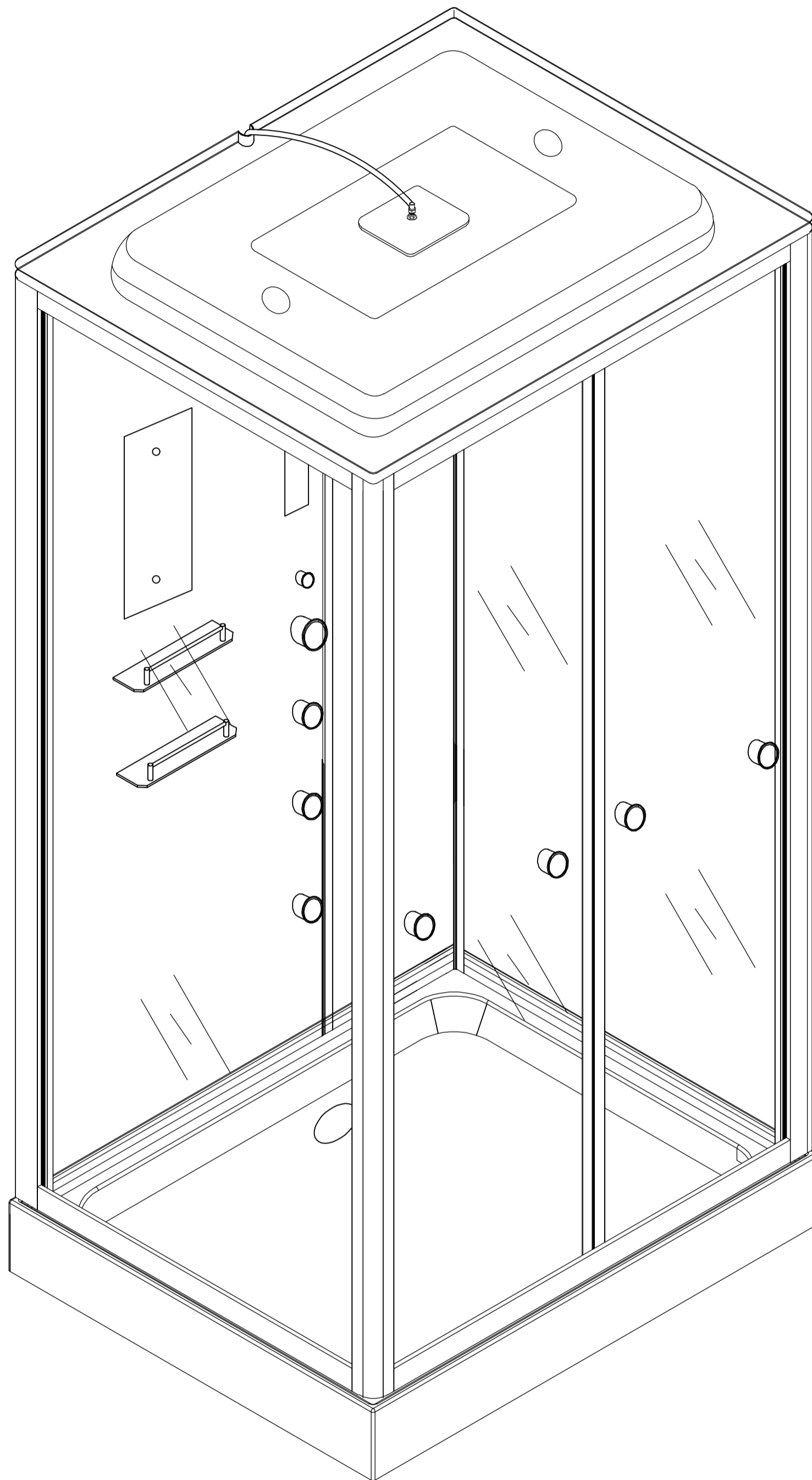
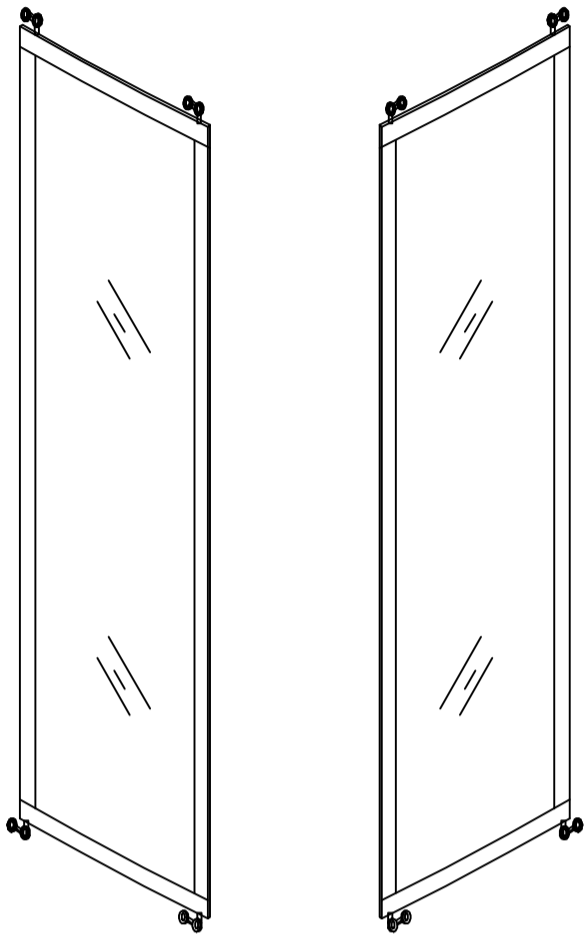


V1215



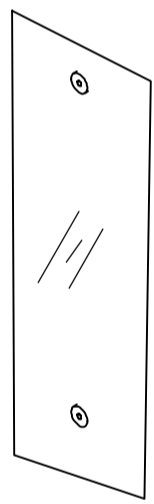
1 / 4



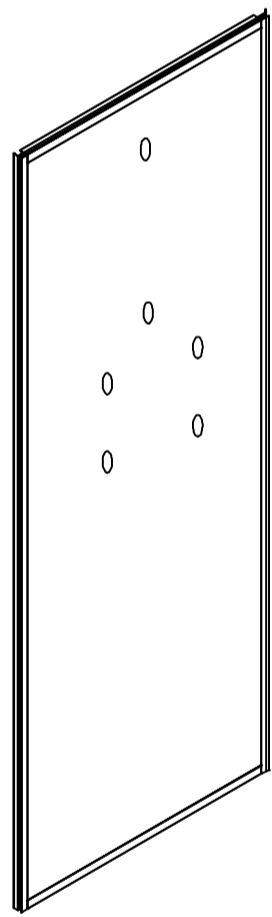
[1]x1

[2]x1

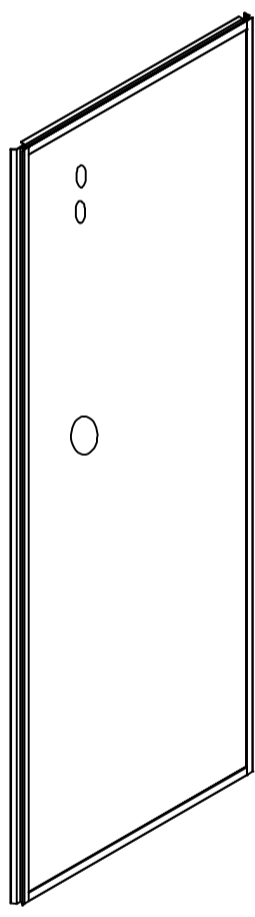
2 / 4



[3]x1

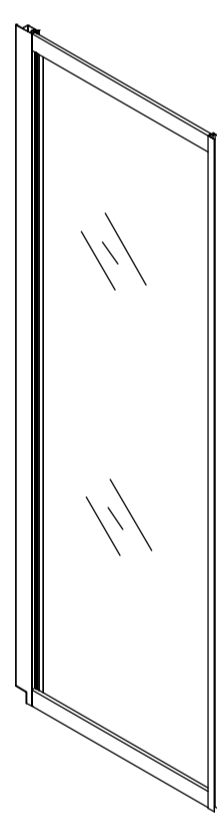


[4]x1

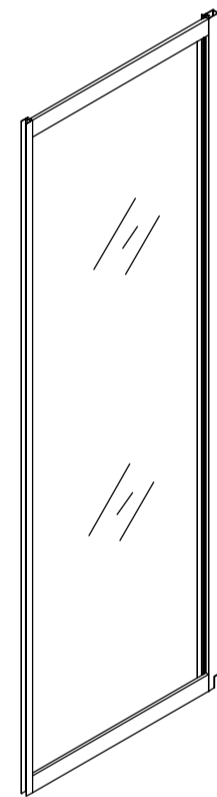


[5]x1

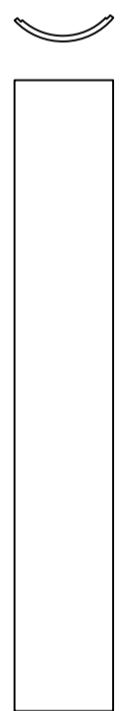
3 / 3



[6]x2

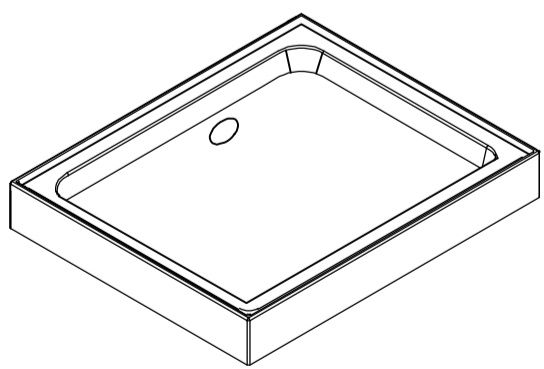


[7]x2

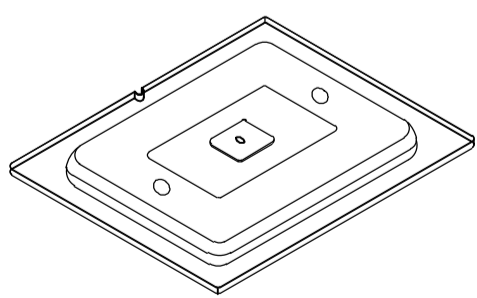


[8]x2

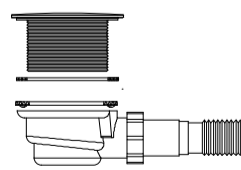
4 / 4



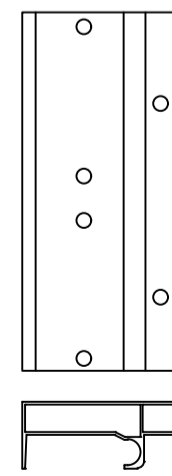
[9]x1



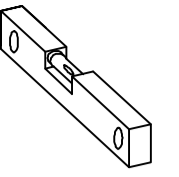
[10]x1



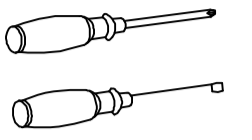
[11]x2



[12]x2

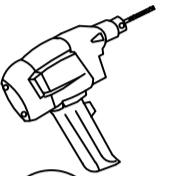


A



B

C



D

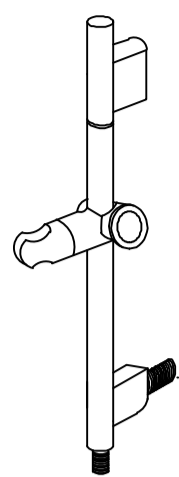


E

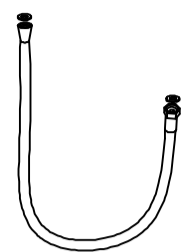
T r a y - 1



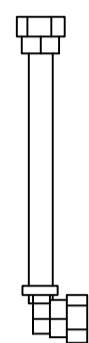
[13]x1



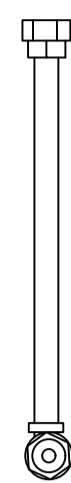
[14]x1



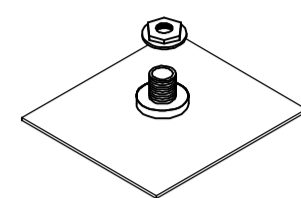
[15]x1



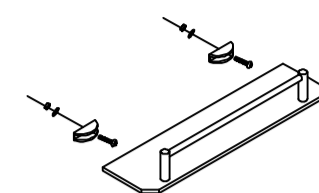
[16]x1



[17]x1



[18]x1



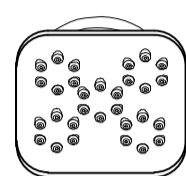
[19]x2



[20]x1



[21]x1



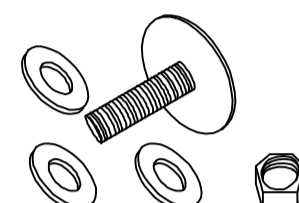
[22]x3



[23]x5



[24]x4



[25]x2



(ST4\*30)

[26]x8



(ST4\*12)

[27]x8



(ST4\*16)

[28]x9



( $\phi 2.8\text{mm}$ )

[29]x1



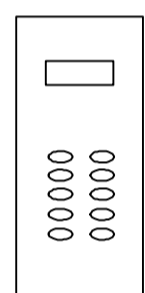
(ST4\*35)

[30]x2

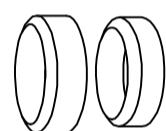


(ST4\*10)

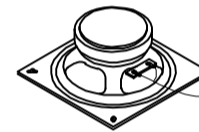
[31]x8



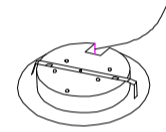
[32]x1



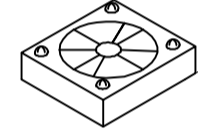
[33]x1



[34]x1



[35]x1



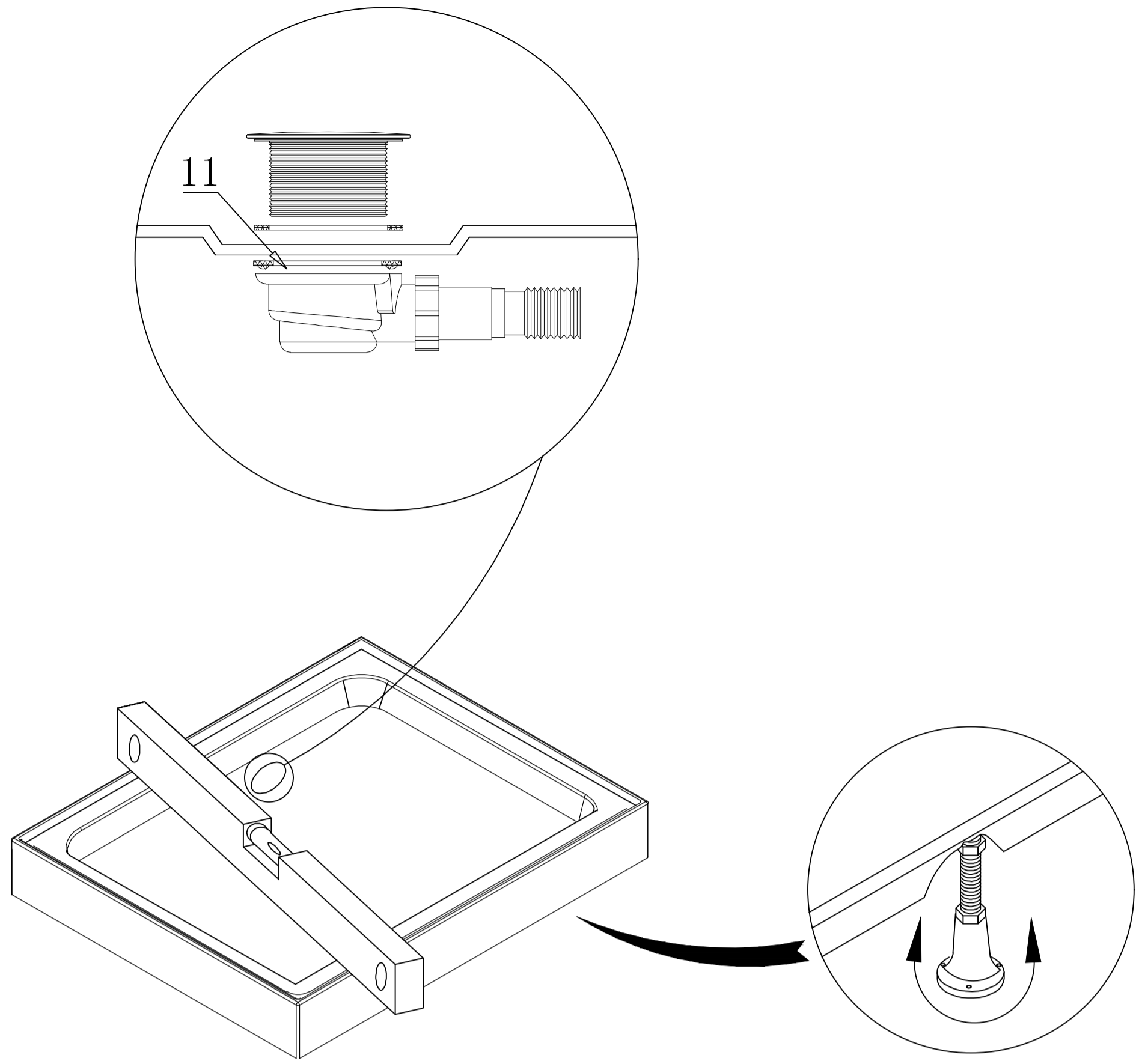
[36]x1



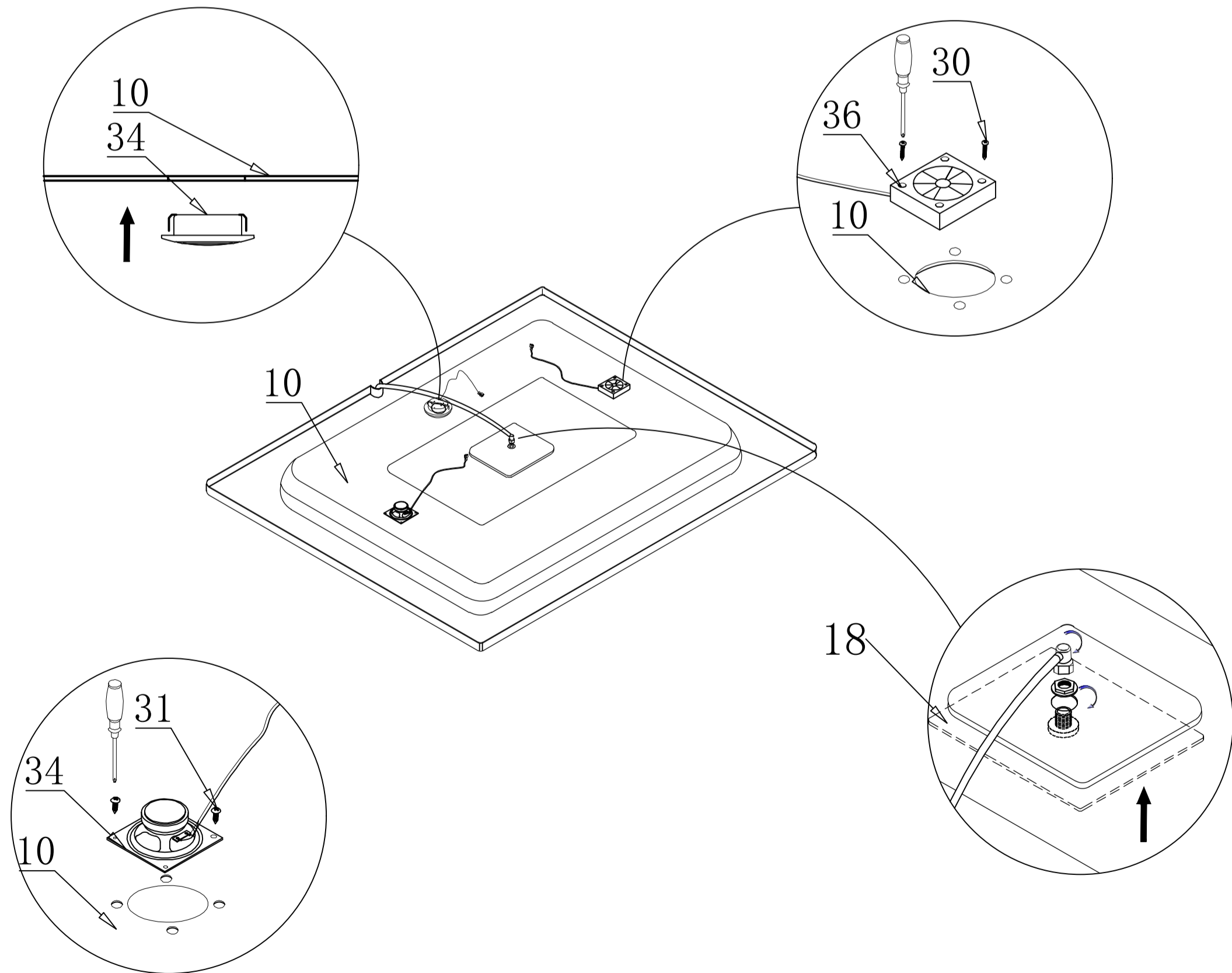
[37]x1

12V

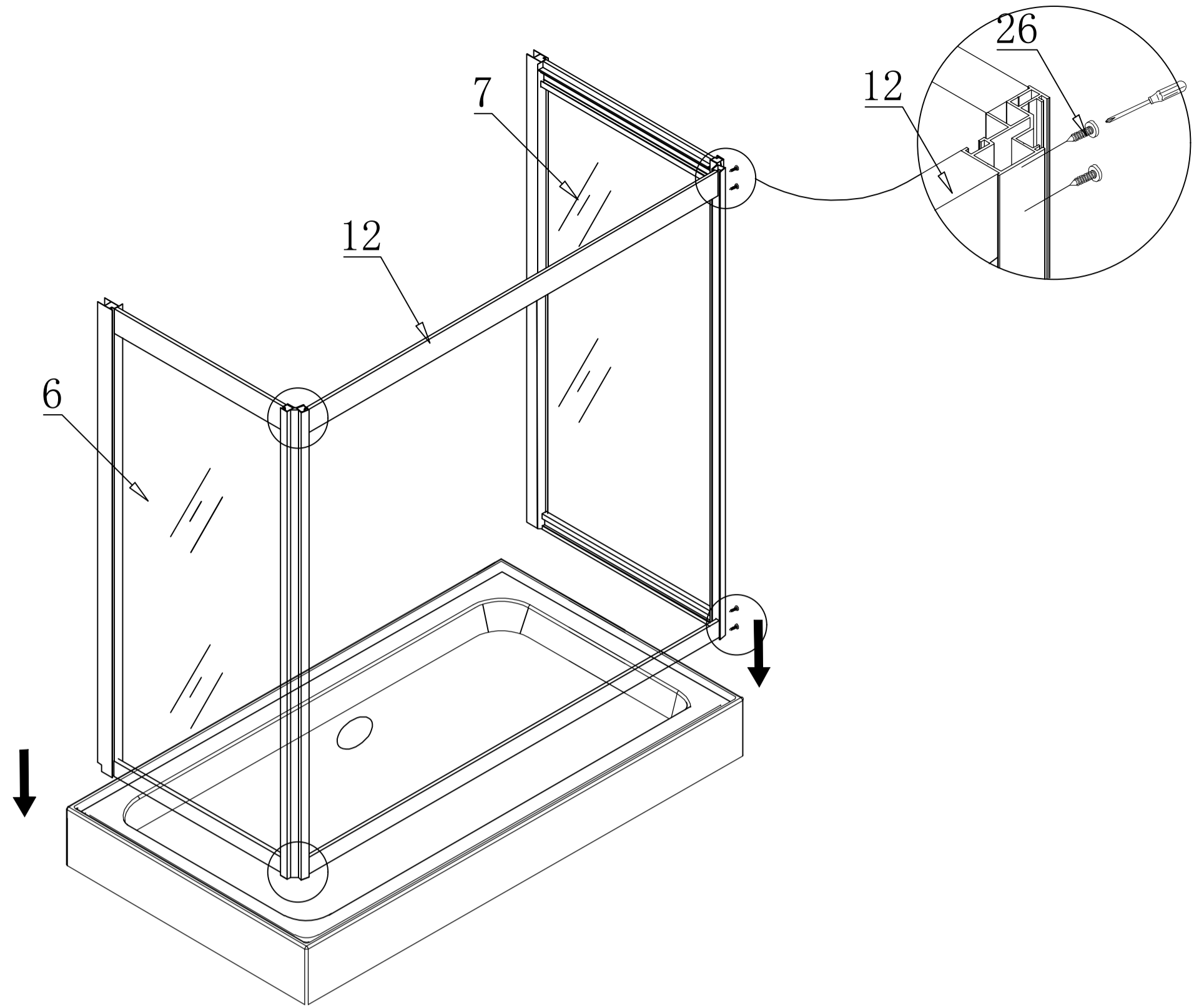
1:



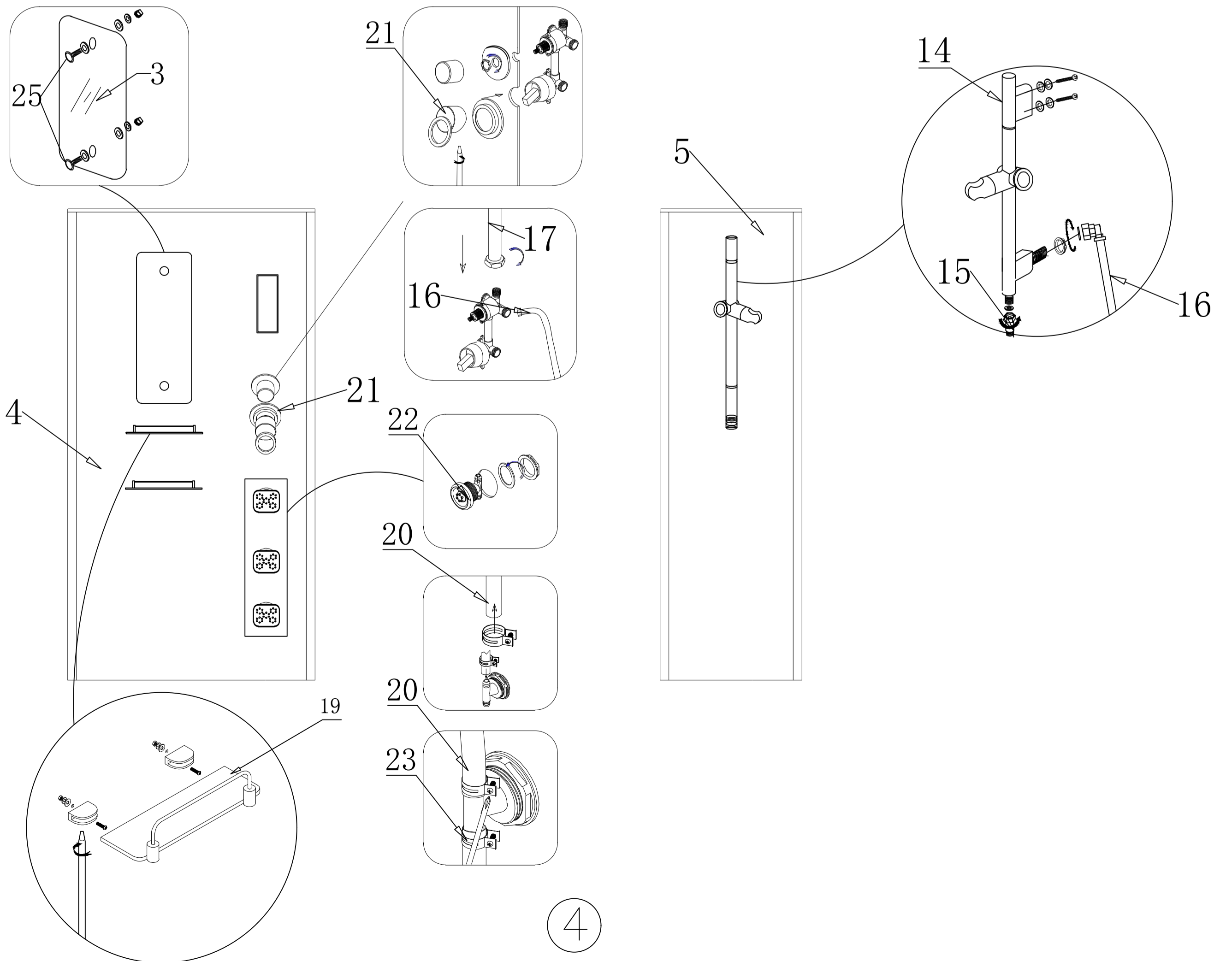
2:



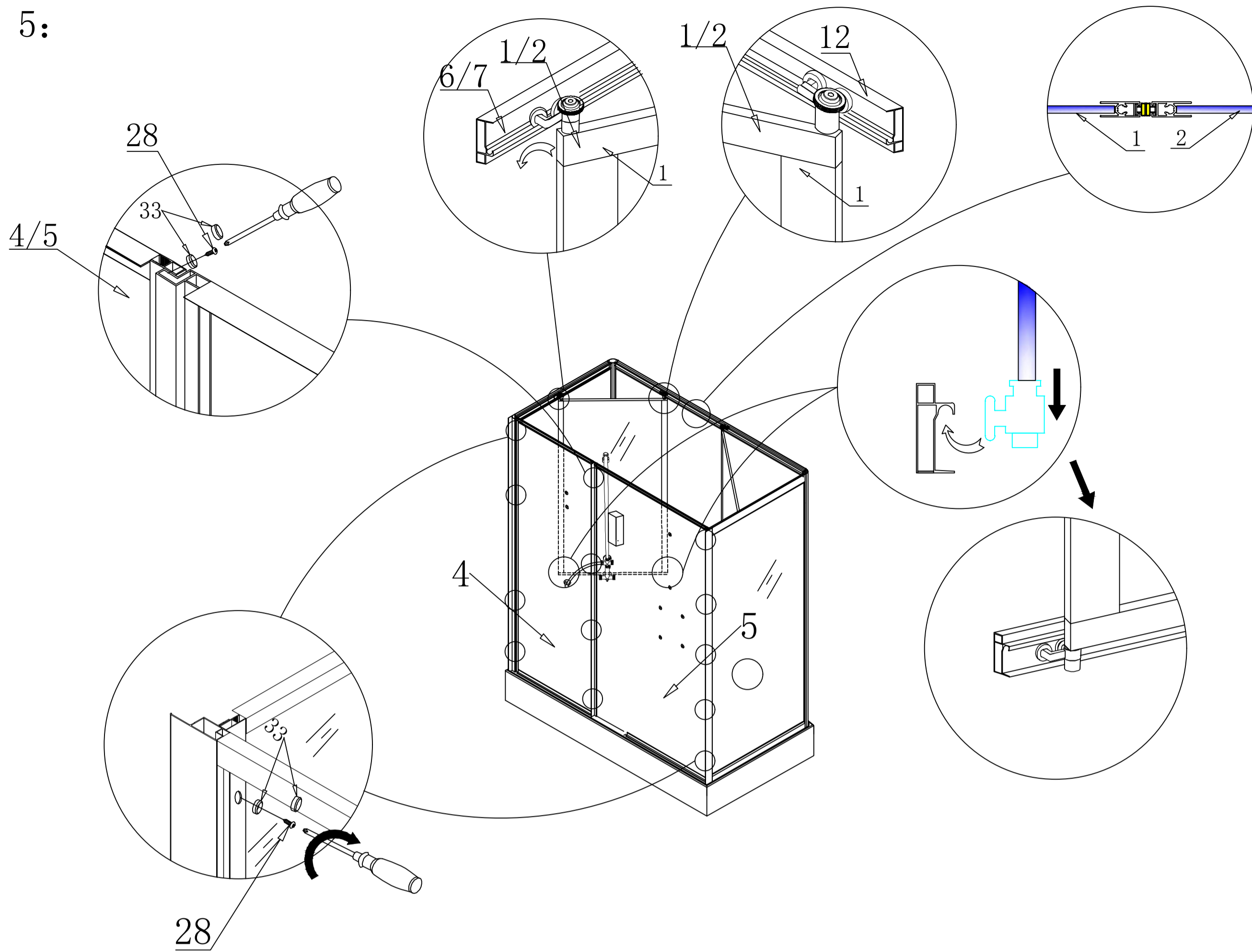
3:



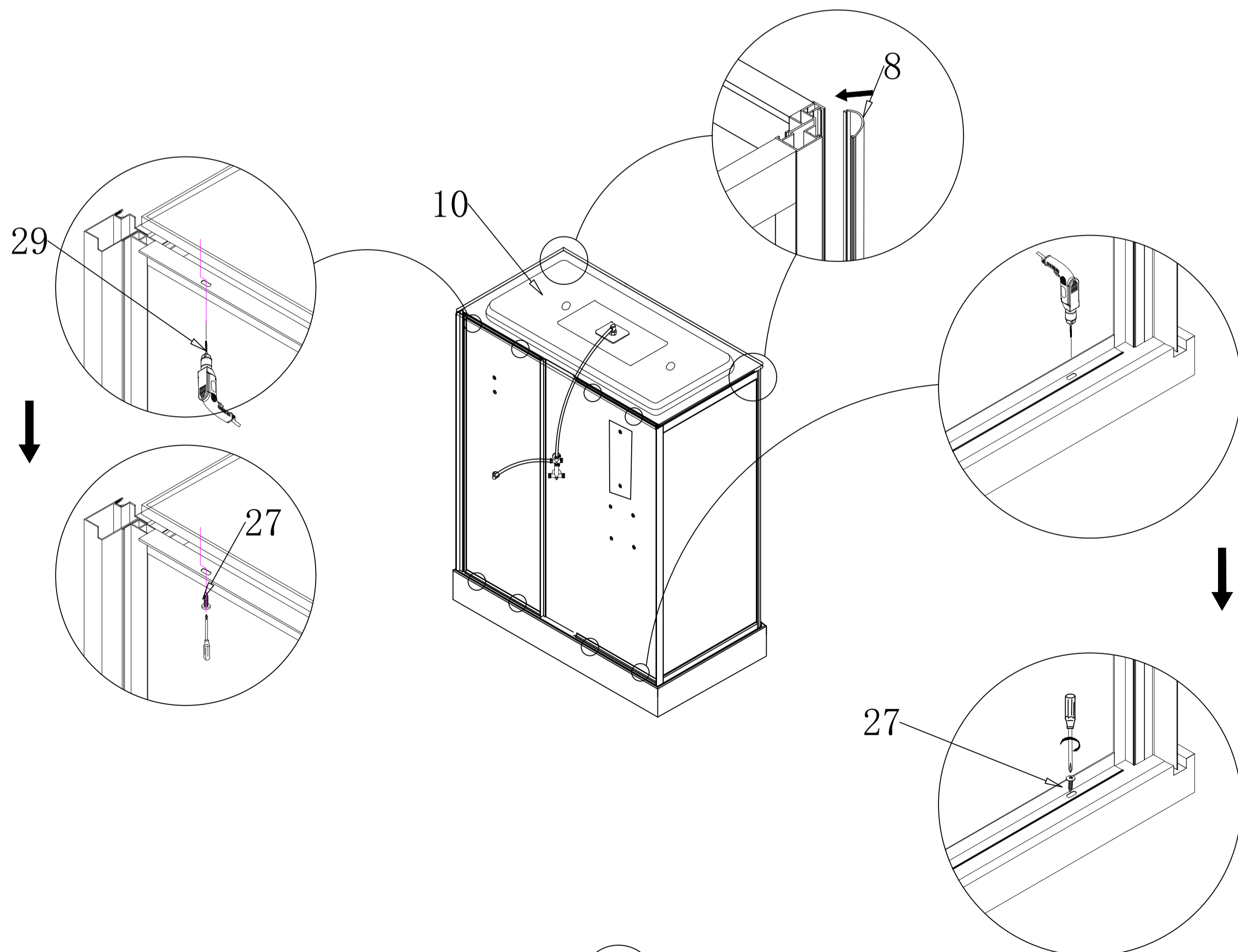
4:



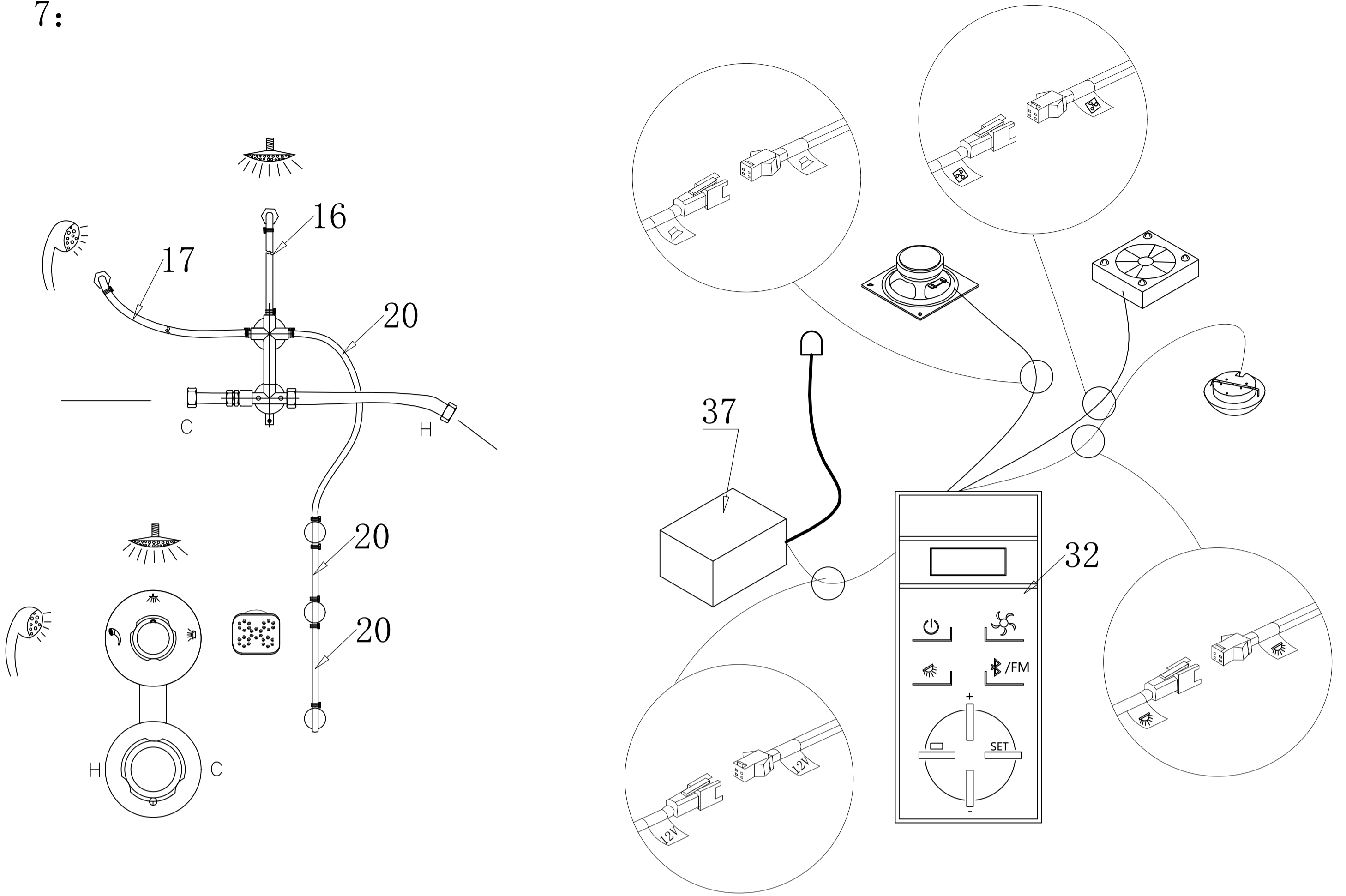
5:



6:



7:



8:

