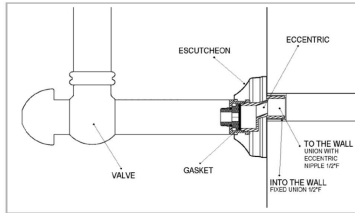


ART. 9-442 SERIES ARMONIA



Tutti gli altri articoli ad acqua calda / All the other hot water heated towel rails / Все другие предметы в горячей воде



TO THE WALL: union with eccentric nipple 1/2" M
INTO THE WALL: fixed union 1/2" F

Oppure a richiesta / Or on request / no запорцы

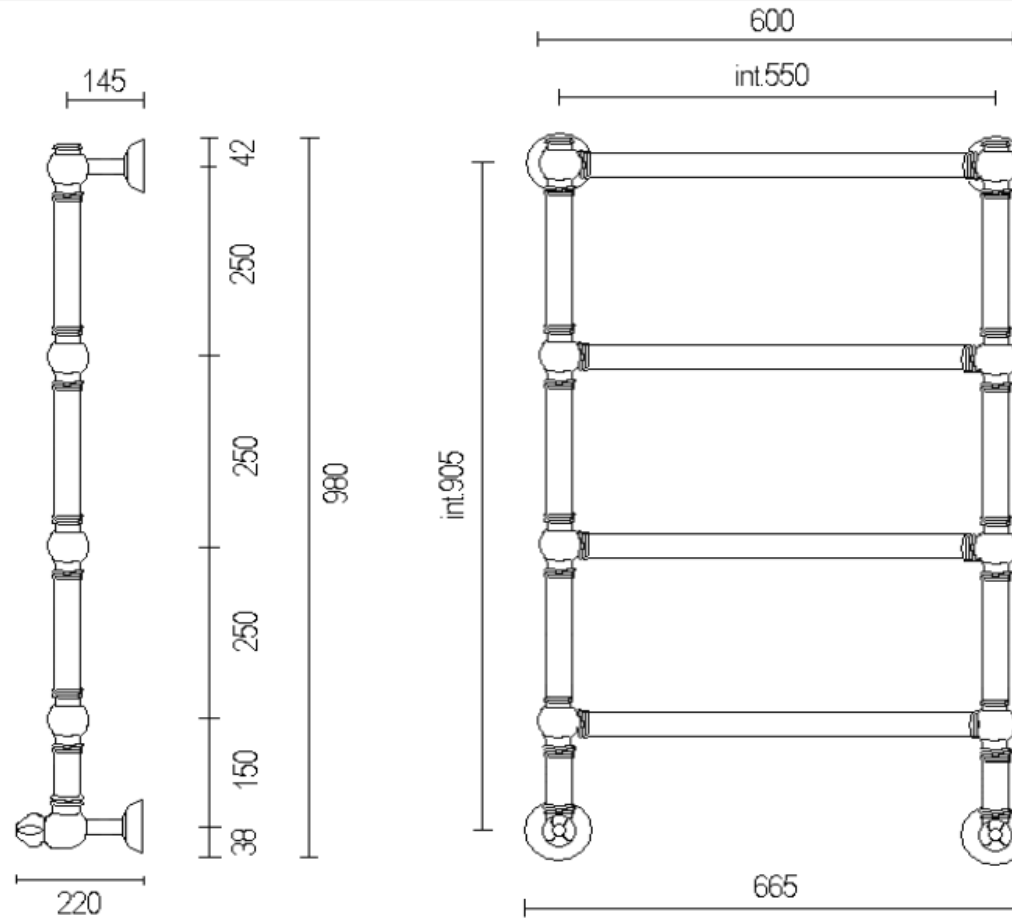


Adaptor kit for copper tube Ø10-12-14-16 mm
Adaptor kit for tube Ø10-12-14-16 mm

TECHNICAL NOTES

no. 2 valves supplied
assembled without welding

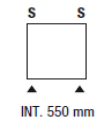
Specify in the order: material and diameter of the connection pipe



SPARE PARTS

COPPER: SC0000AB52CR / IRON: SC0000AA10CR

MAXIMAL WORKING PRESSURE: 600 kPa
STANDARD TESTING PRESSURE: 800 kPa
TESTING PRESSURE IN LABORATORY: 1500 kPa
MAXIMAL WORKING TEMPERATURE: 95°C
MATERIAL: BRASS



Scaldasalviette fisso componibile, in tubo tondo Ø32.
MODULO AGGIUNTIVO: 150mm/250mm
VERSIONE COMBINATA: disponibile
VERSIONE MONOTUBO: disponibile
MONTAGGIO A PAVIMENTO: disponibile
SPORGENZA DAL MURO: 220mm

Fixed modular Ø32 brass tube heated towel.
ADDITIONAL MODULE: 150mm/250mm
COMBINED VERSION: available
SINGLE TUBE VERSION: available
FLOOR CONNECTION: available
DISTANCE FROM THE WALL: 220mm

Стационарный модульный полотенцесушитель из латунной трубы диаметром Ø32 мм.
Дополнительный модуль: 150мм/250мм
Комбинированная версия: Доступный
Однотрубная версия: Доступный (клапан не включен)
Напольное подсоединение: Доступный
Расстояние от стены: 220мм

OPTIONAL



ART.	SERIES	INT.(mm)	ΔT50°C (TG)			ΔT50°C (TG+V)			ΔT50°C (V)			ΔT30°C (TG)			WEIGHT
			watt	kcal/h	btu	watt	kcal/h	btu	watt	kcal/h	btu	watt	kcal/h	btu	
9-442	ARMONIA	550	247	212	843	292	269	1069	321	276	1097	128	110	437	17,6

Le misure si intendono indicative e devono essere verificate in sede di installazione. I dati tecnici riportati nella presente documentazione non sono impegnativi. MARGAROLI SRL si riserva di apportare in qualsiasi momento tutte le modifiche ritenute necessarie per il miglioramento del prodotto.
The measures showed are indicative and must be verified before installation. Technical data shown in this booklet are not binding. MARGAROLI SRL shall have the right to introduce at any whatever modifications deemed necessary to the improvement of the product.