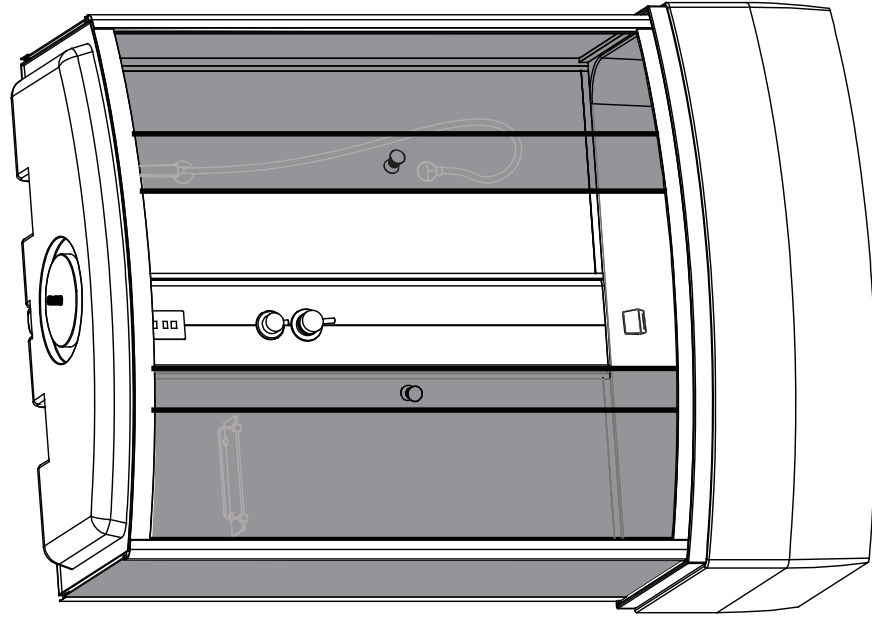
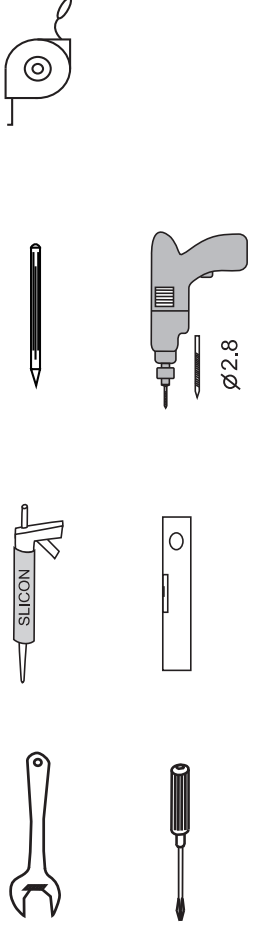
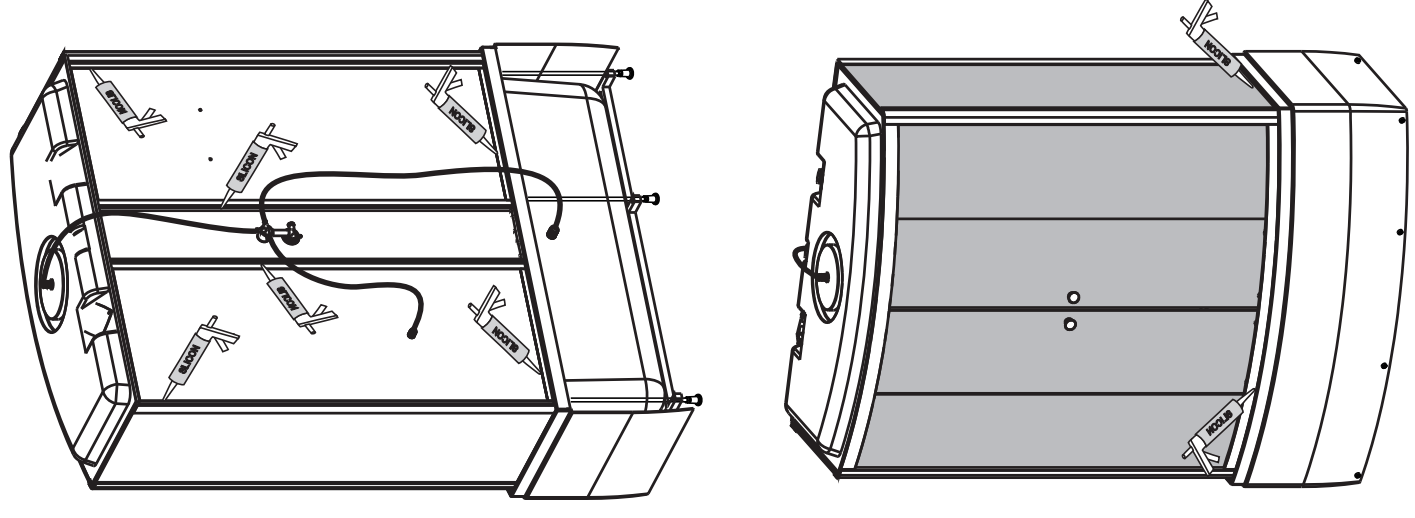
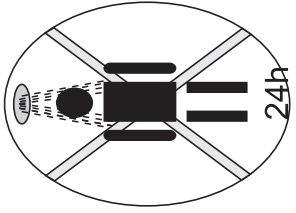




BNE/CNE140-150-170





		ST4X25=8 ST4X10=4 M4X40=10 ST4X12=28 ST4X35=2 M4X16=28		

