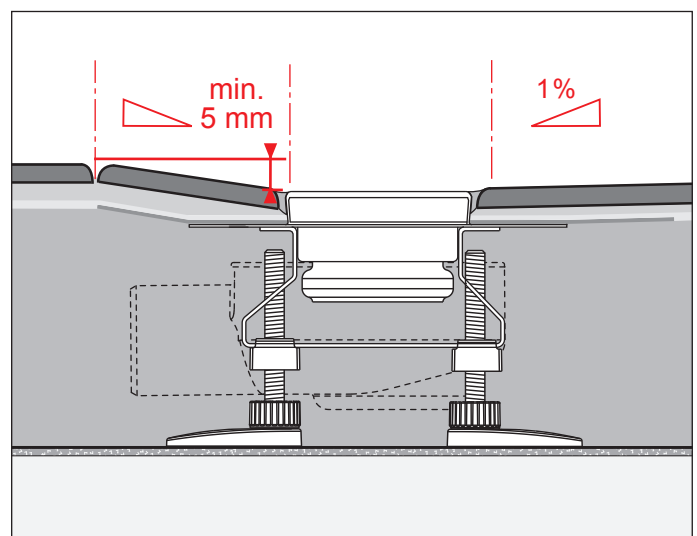
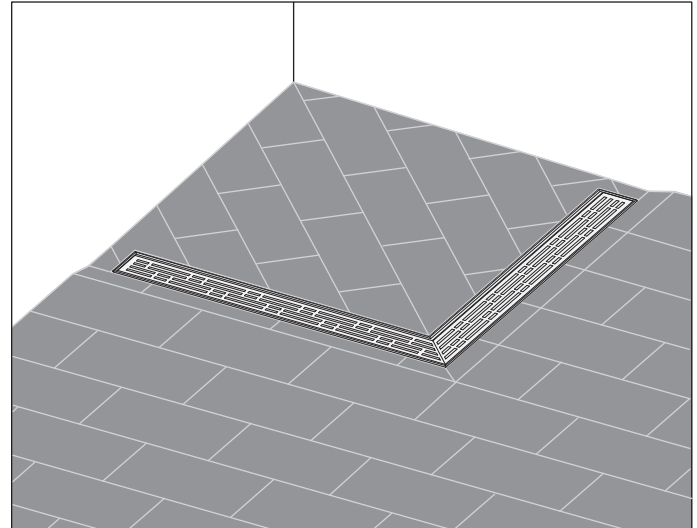
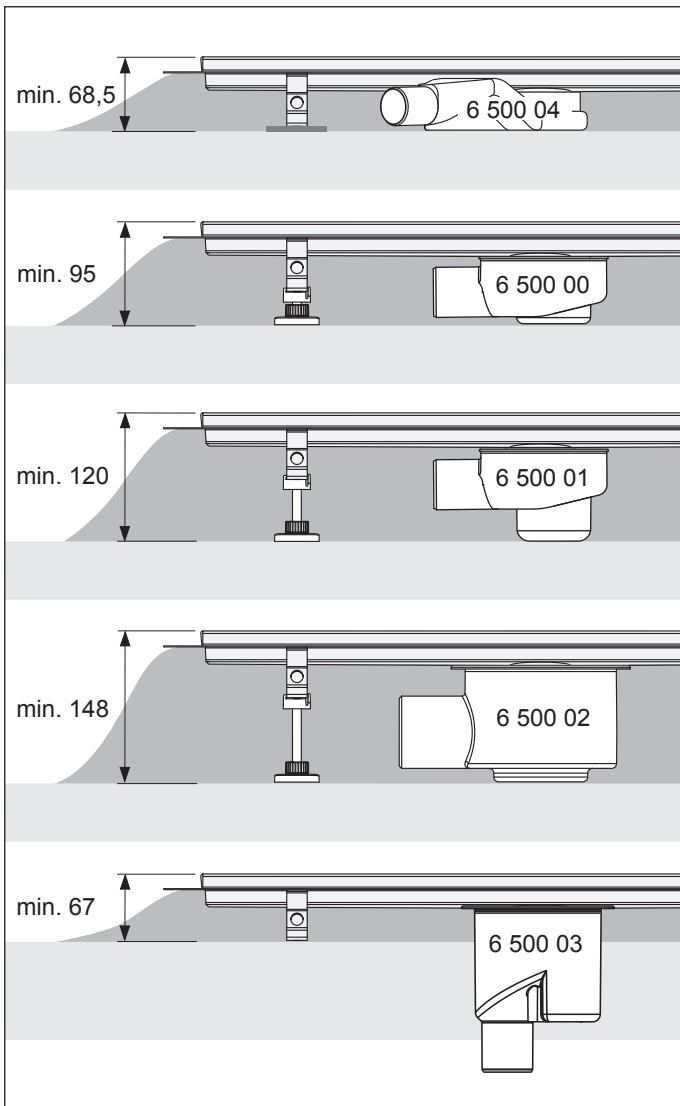
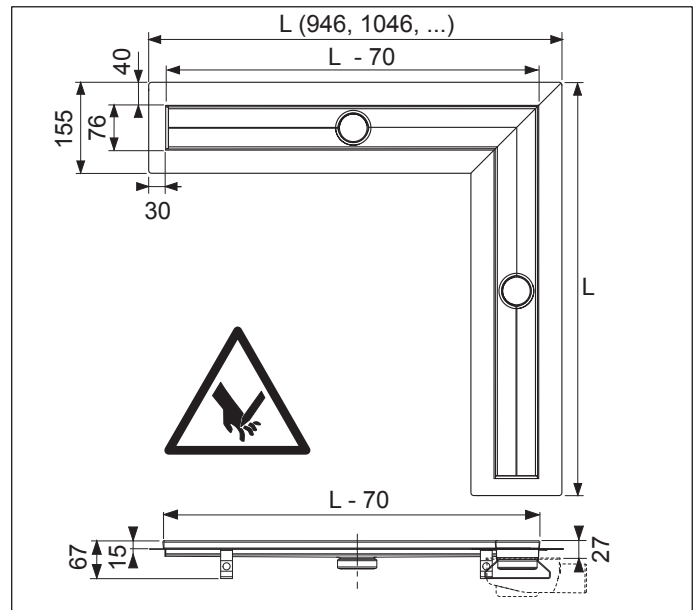
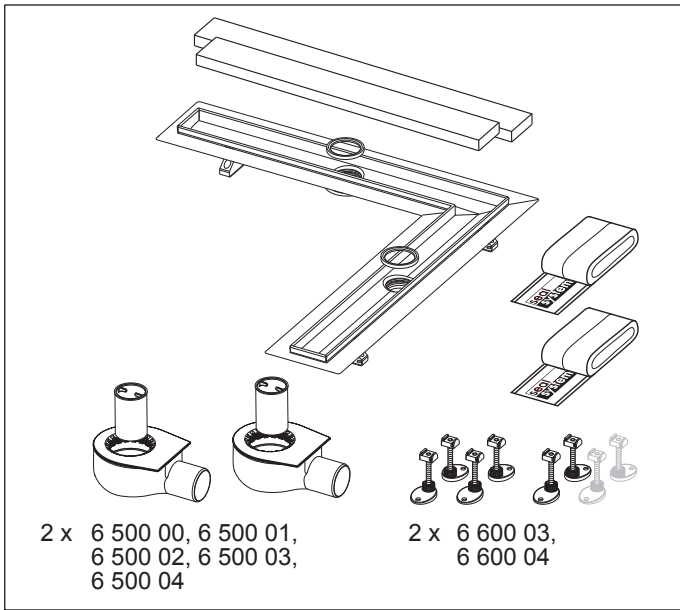
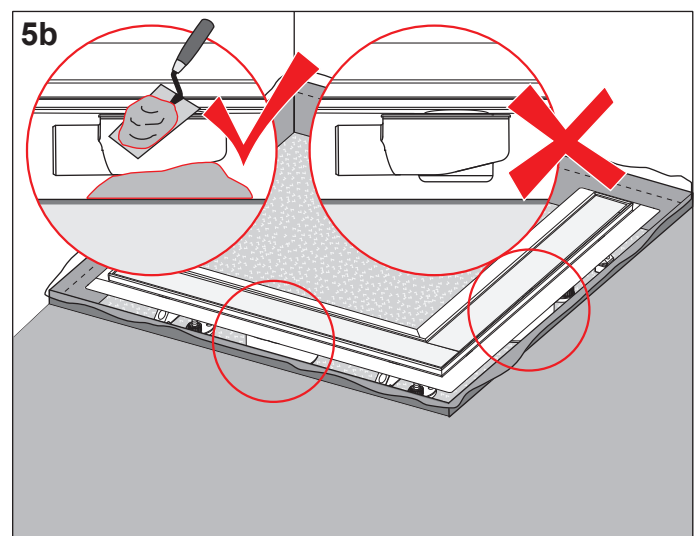
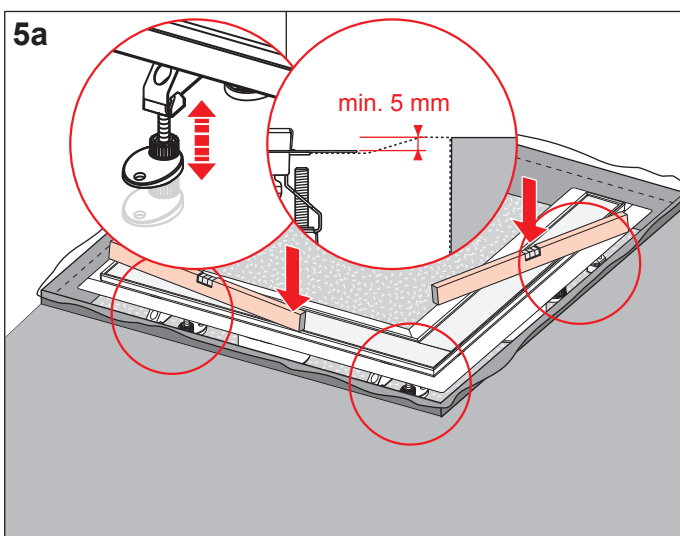
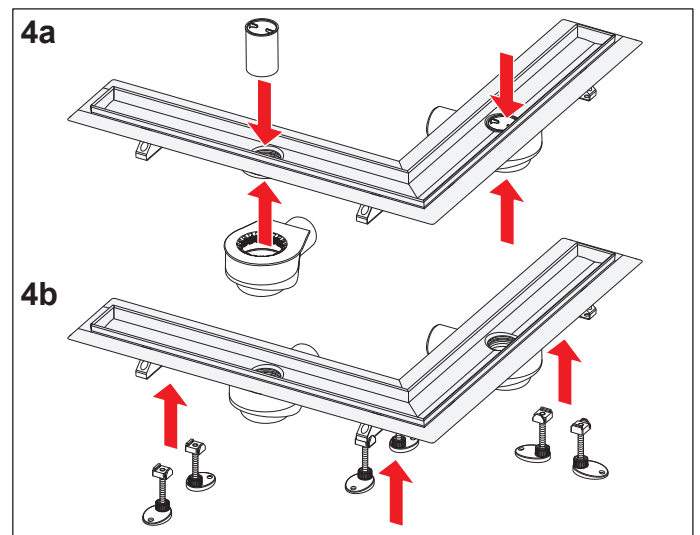
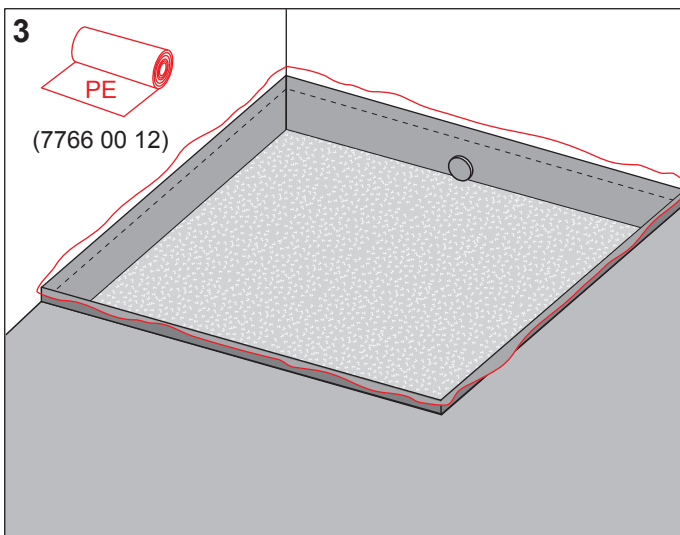
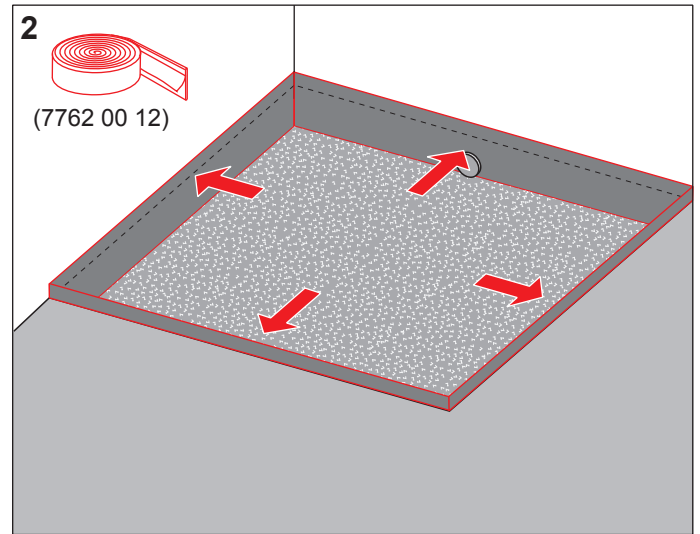
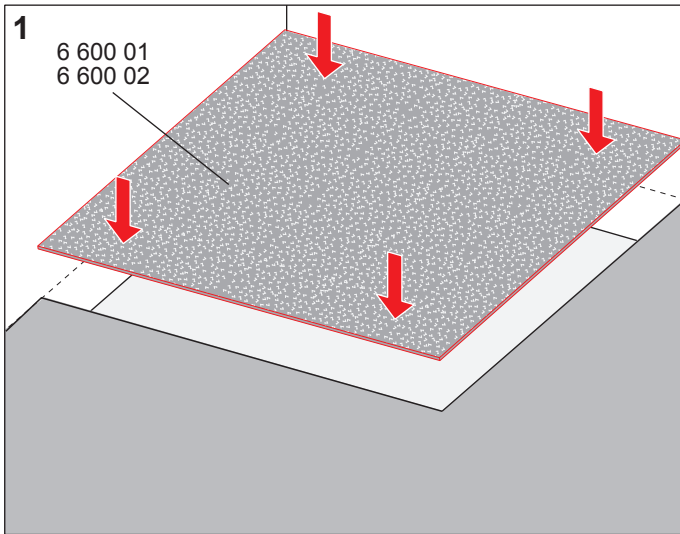


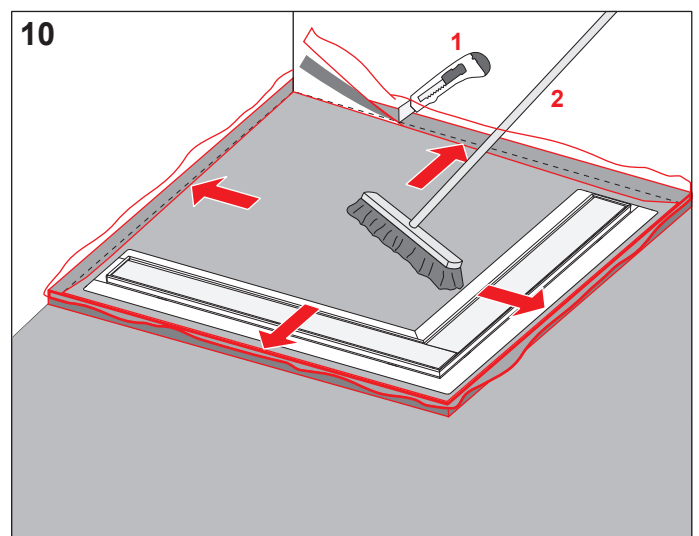
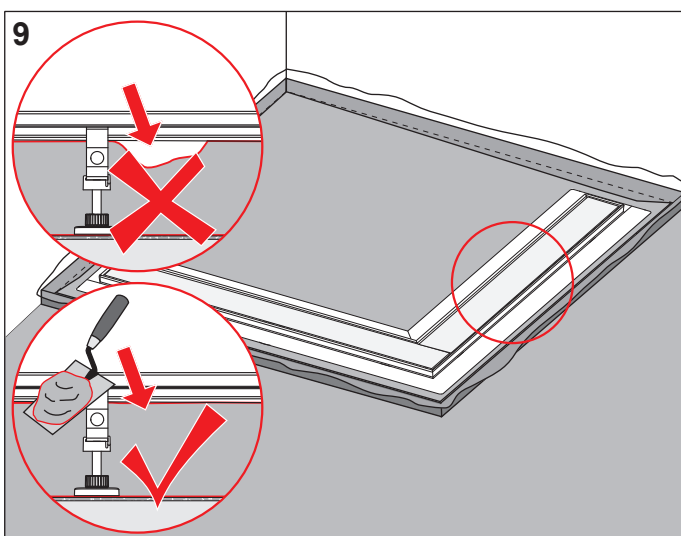
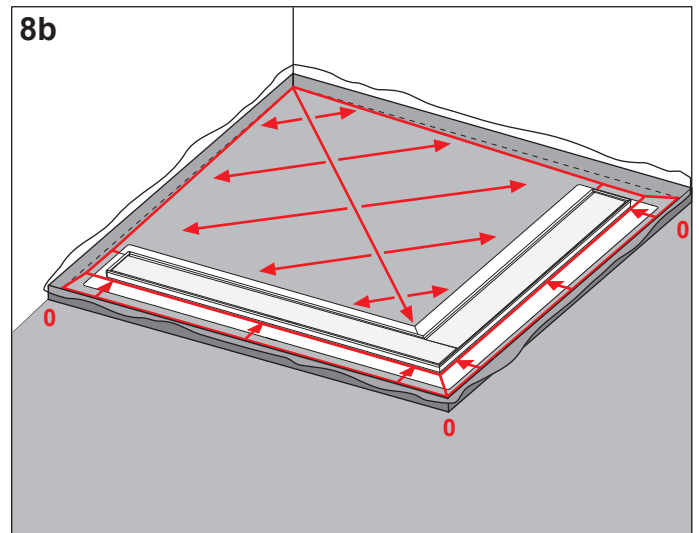
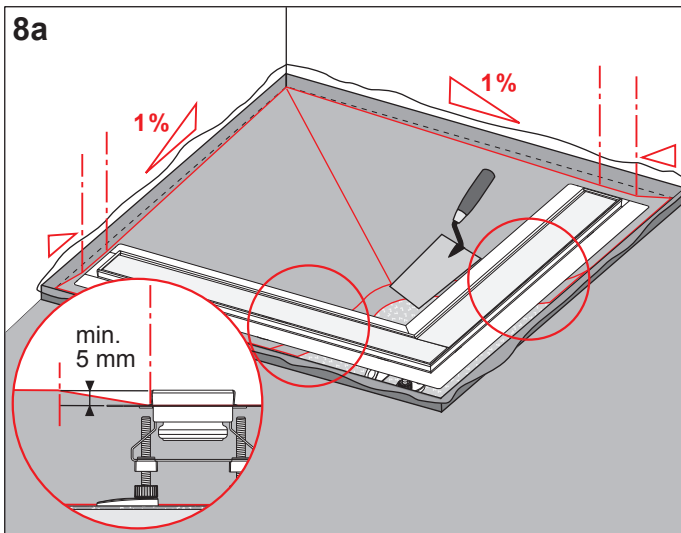
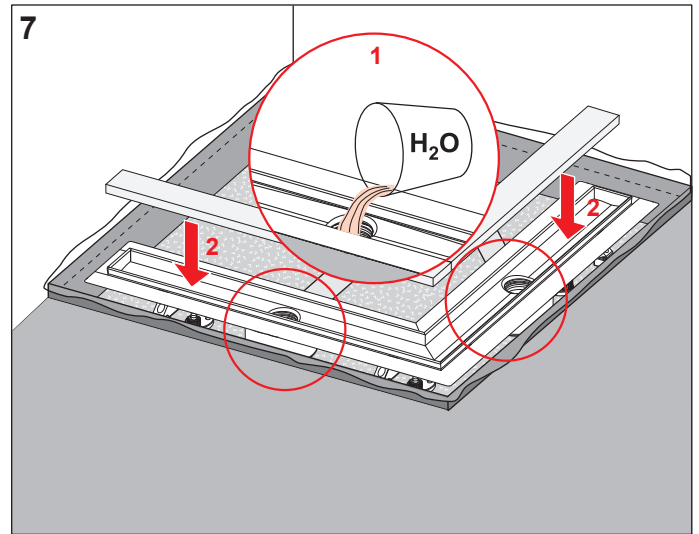
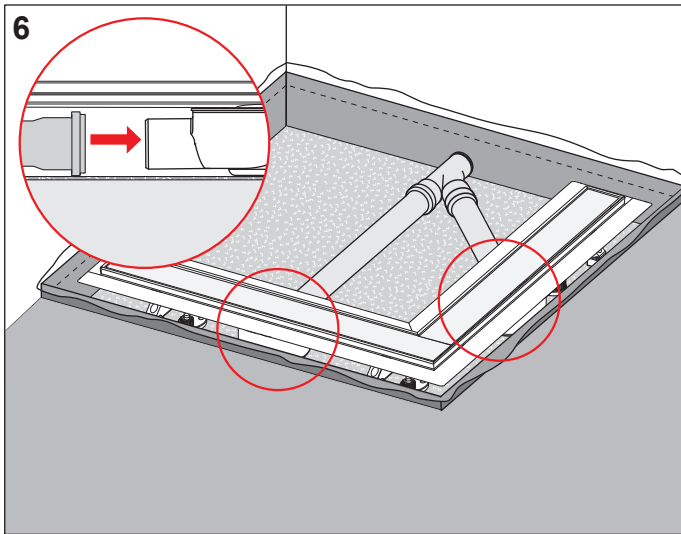
TECEdrainline – 6 1xx 00



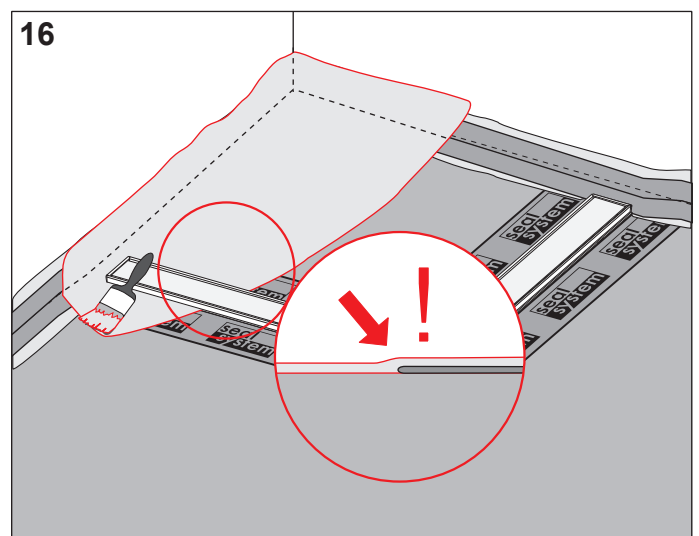
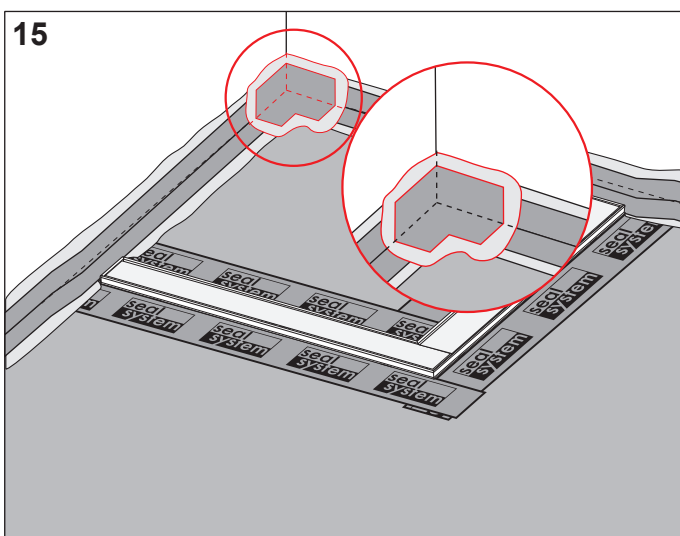
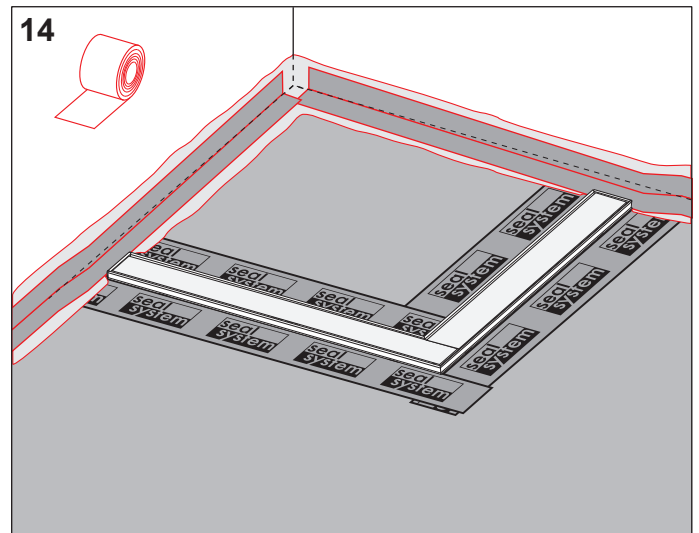
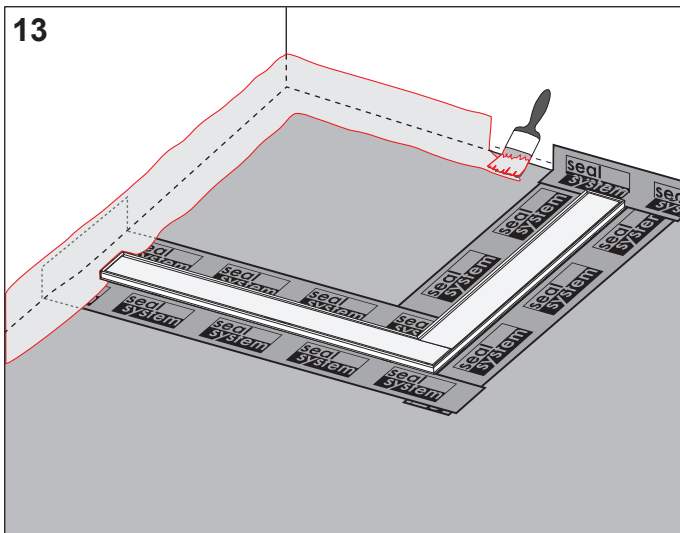
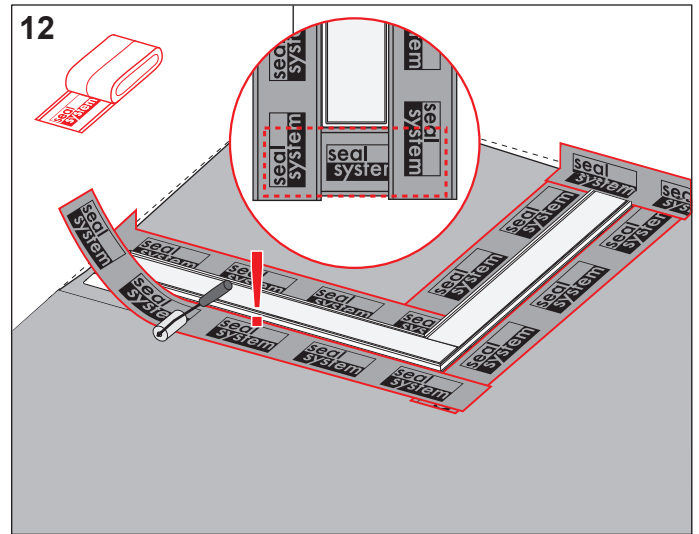
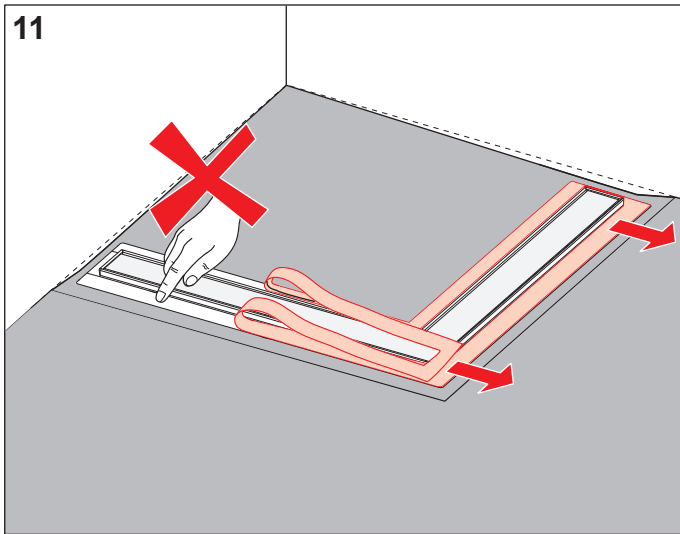
TECEdrainline – 6 1xx 00



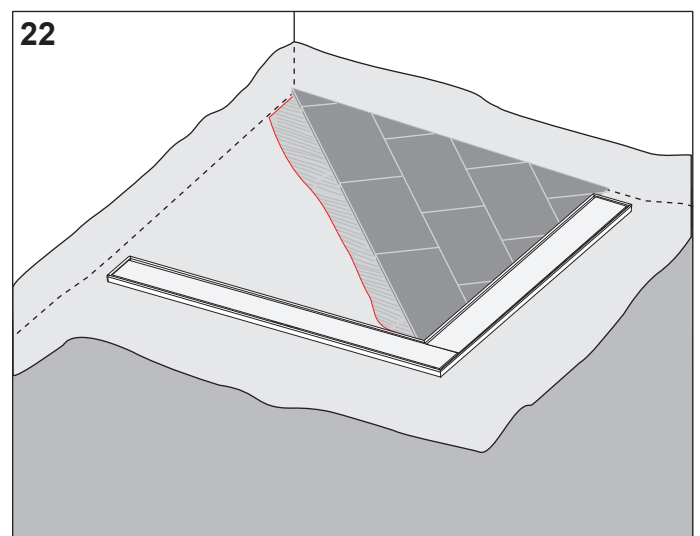
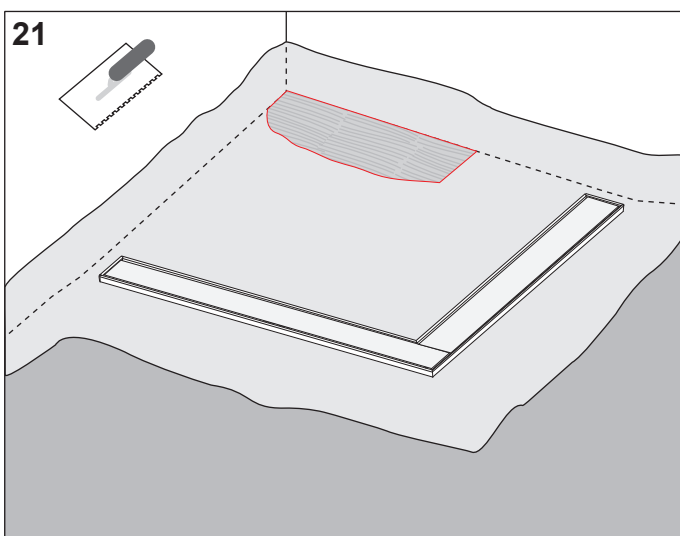
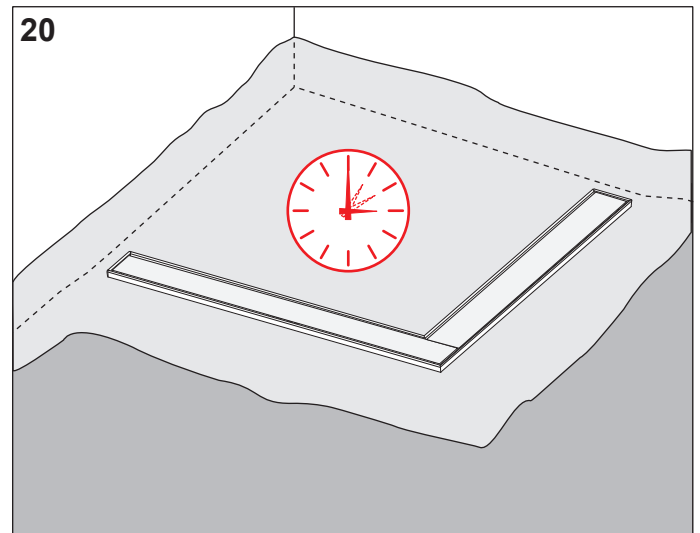
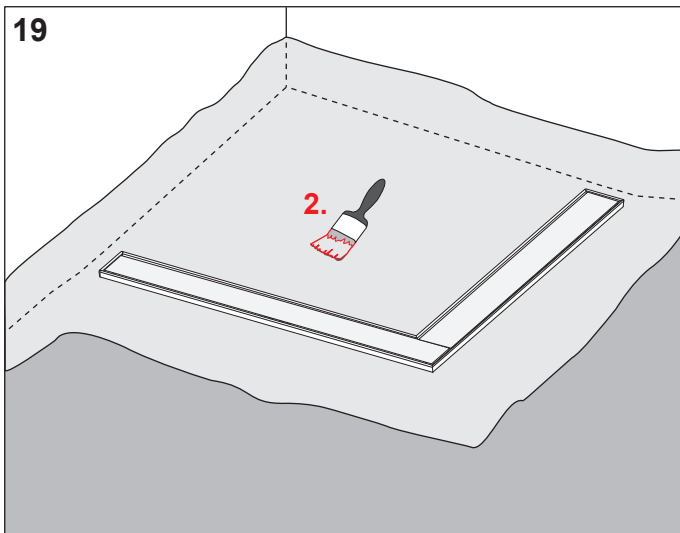
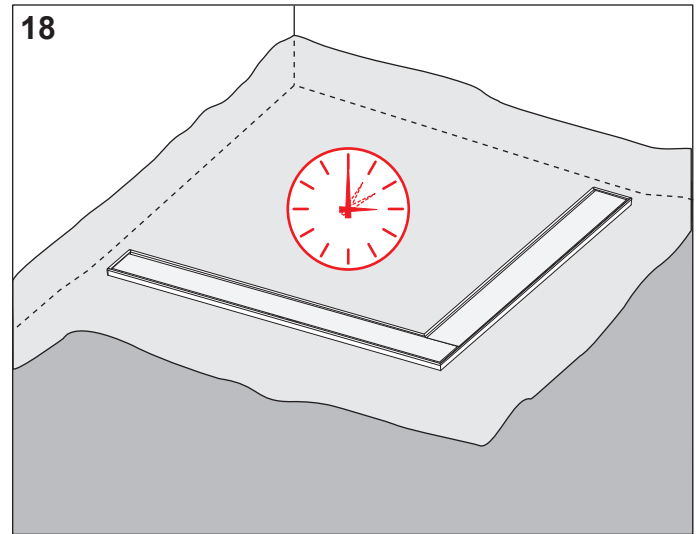
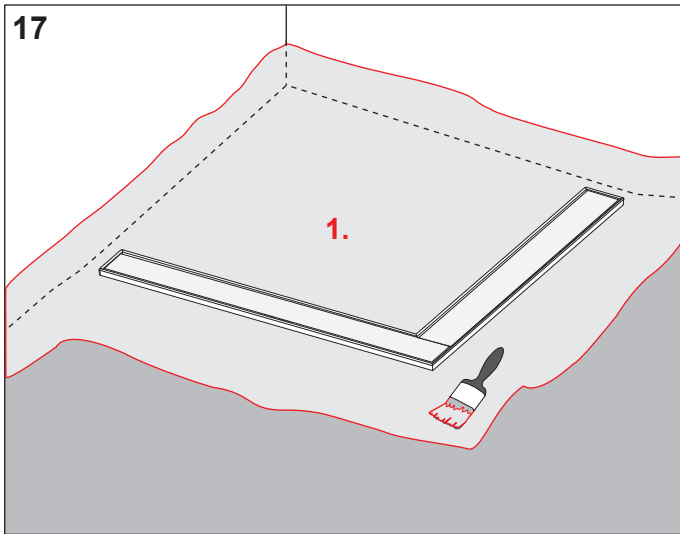
TECEdrainline – 6 1xx 00



TECEdrainline – 6 1xx 00



TECEdrainline – 6 1xx 00



TECEdrainline – 6 1xx 00

